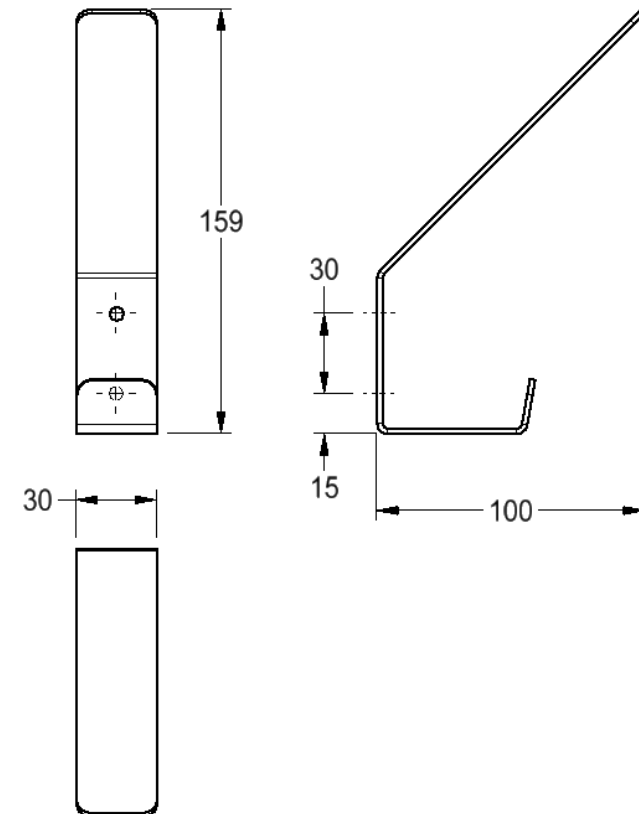
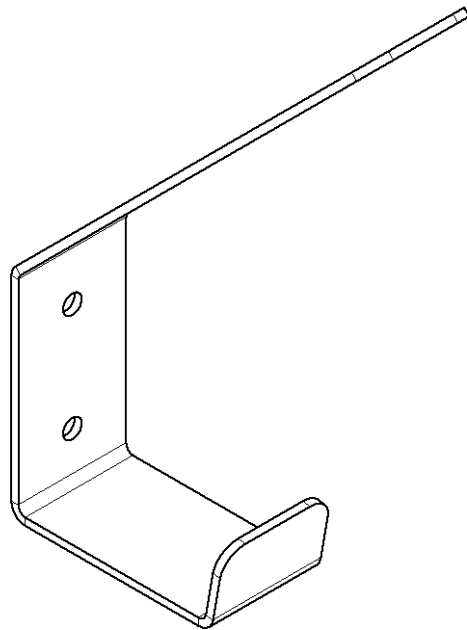


Installation Details / Mounting Holes Locations

Product: **CHRX690** Hook
Art No. 2000057150



Double cloth hook for wall mounting, stainless steel, surface satin finished, two drilled holes for fixation, incl. stainless steel screws and dowels.

Mount unit on wall with two $\text{Ø}4.8 \times 45\text{mm}$ Pan Head Tapping screw, M5 Flat Washer and 6x37mmL Dowel at two mounting holes. For plaster or dry wall construction, provide concealed backing to comply with local building codes, then secure with $\text{Ø}4.8 \times 45\text{mm}$ Pan Head Tapping screw.