



**Pacta**  
***SALICE***



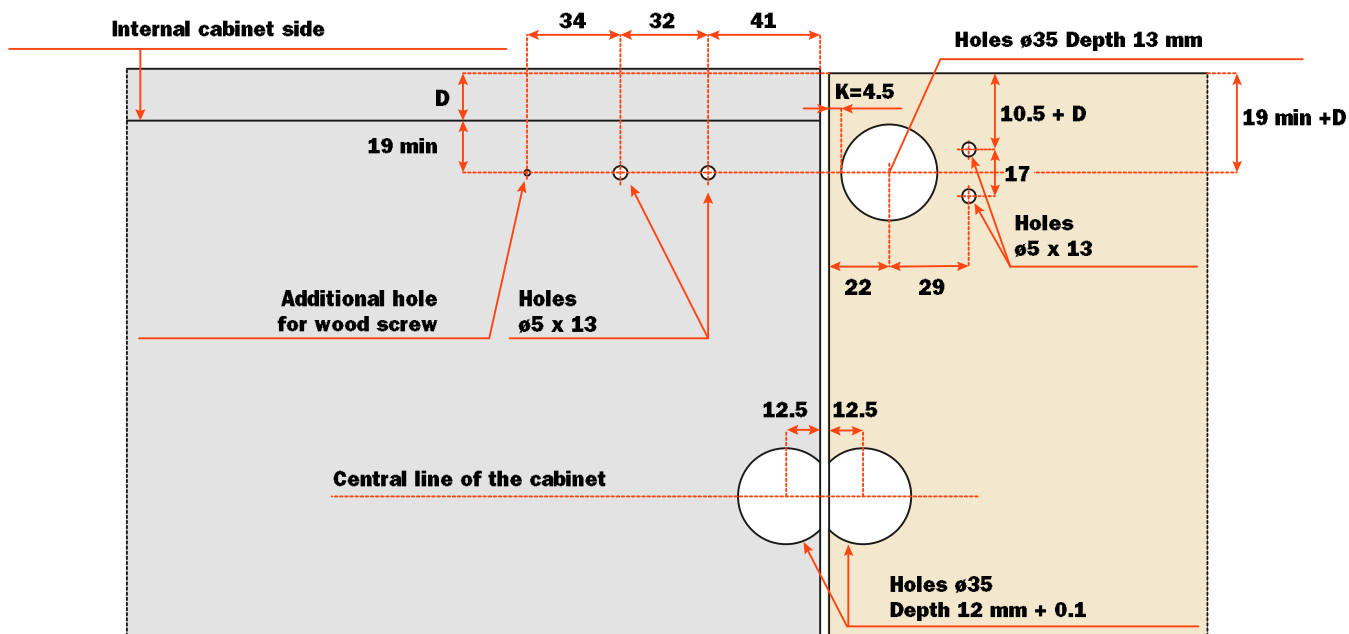
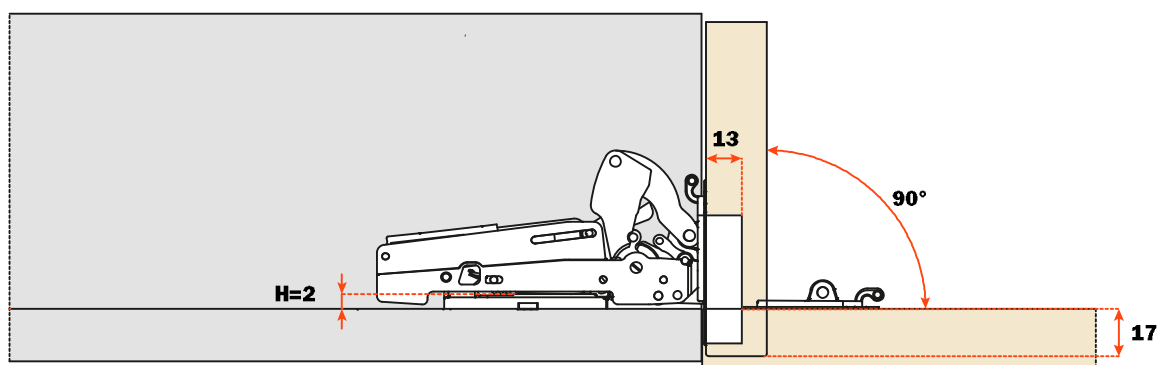
**Technical information**

**Hinge for flap doors with decelerated opening.  
Sprung closing action.**

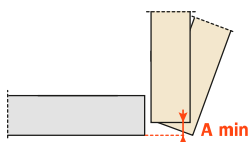
Fixing to the base of the cabinet with longitudinal snap-on mounting plate (BAPGR29/16).  
Standard drilling of the door  $\varnothing$  35.  
13 mm deep cup.  
90° opening.  
Fixed K = 4.5 mm.

**Pacta is tested and certified to level 3 of UNI EN 15828:2010**

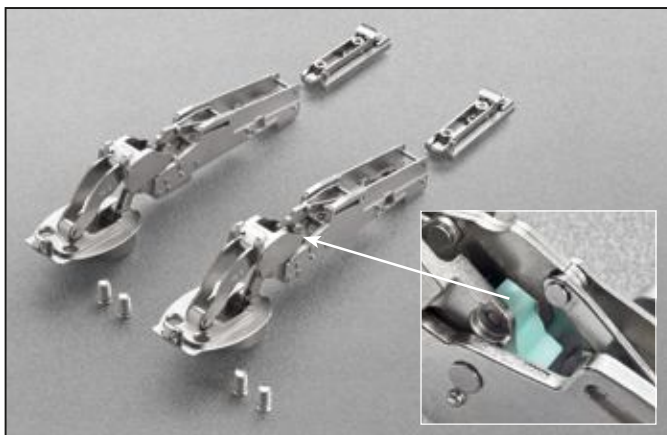
**Drilling patterns**



**Space needed to open the door**



	T=	16	17	18	19	20	21	22	23	24	25	26	27	28
K=4.5	A=	1.3	2.1	3	3.9	4.8	5.7	6.6	7.5	8.5	9.4	10.4	11.3	12.3



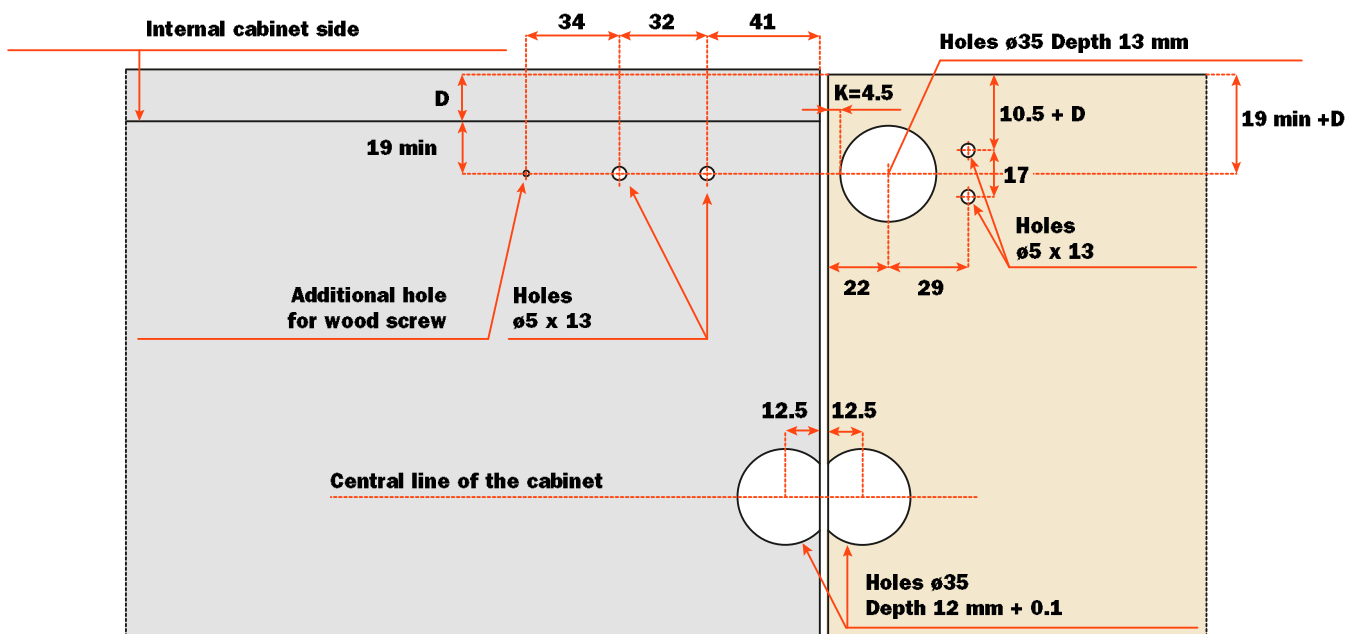
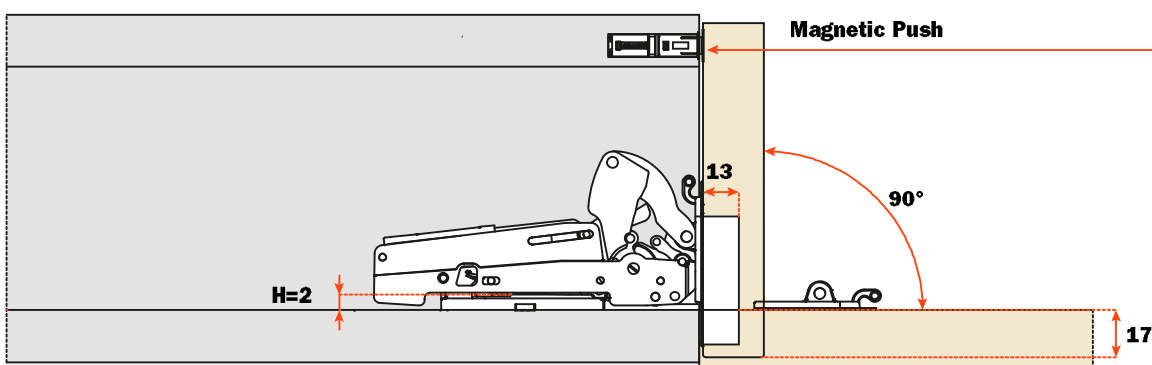
### Technical information

**Hinge for flap doors with decelerated opening.  
Push opening.**

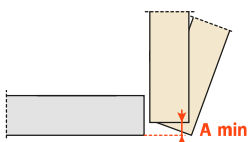
Fixing to the base of the cabinet with longitudinal snap-on mounting plate (BAPGR29/16).  
Standard drilling of the door  $\varnothing$  35.  
13 mm deep cup.  
90° opening.  
Fixed K = 4.5 mm.

**Pacta is tested and certified to level 3 of UNI EN 15828:2010**

### Drilling patterns

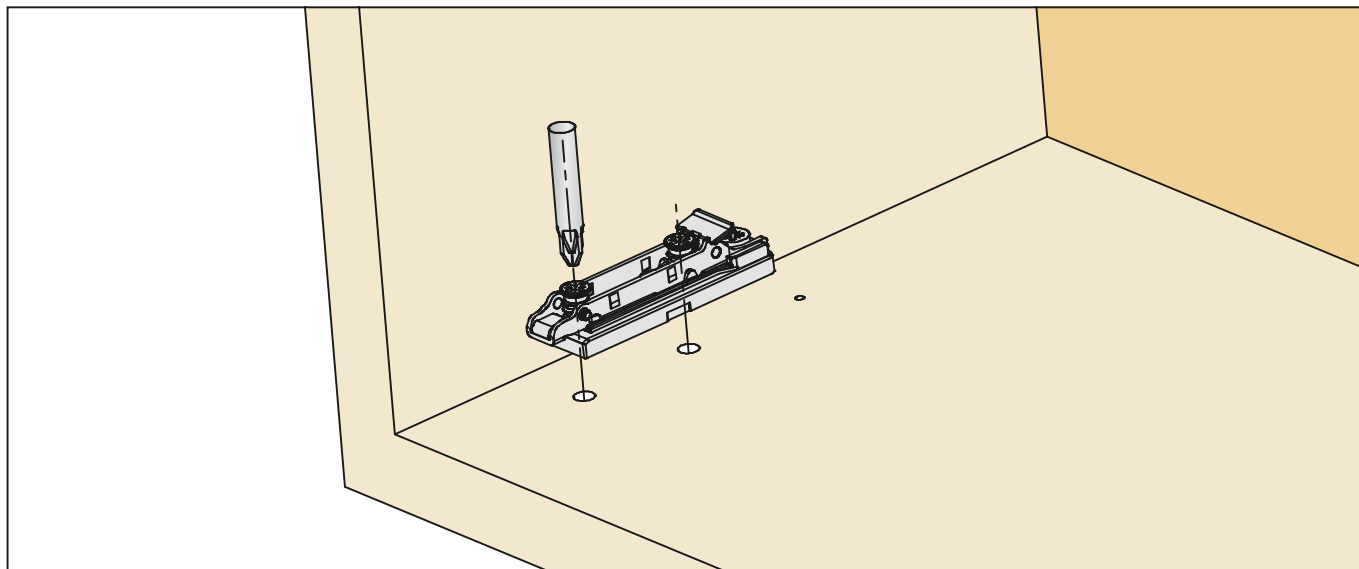


### Space needed to open the door

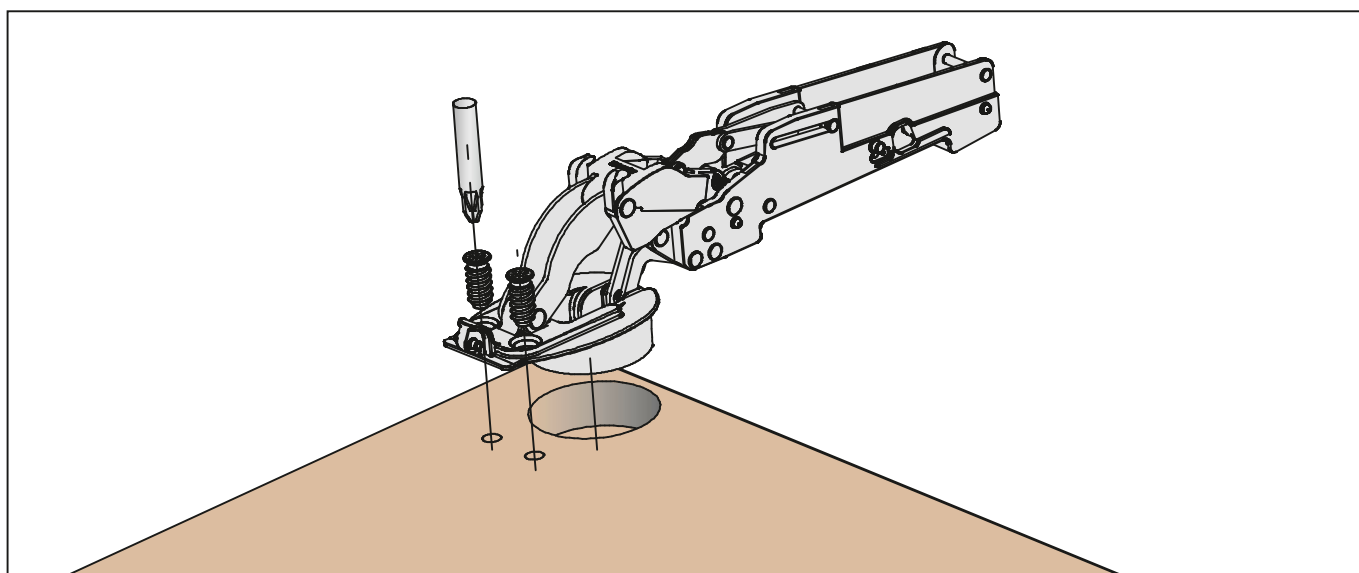


	T=	16	17	18	19	20	21	22	23	24	25	26	27	28
K=4.5	A=	1.3	2.1	3	3.9	4.8	5.7	6.6	7.5	8.5	9.4	10.4	11.3	12.3

**Fixing the mounting plate to the cabinet**

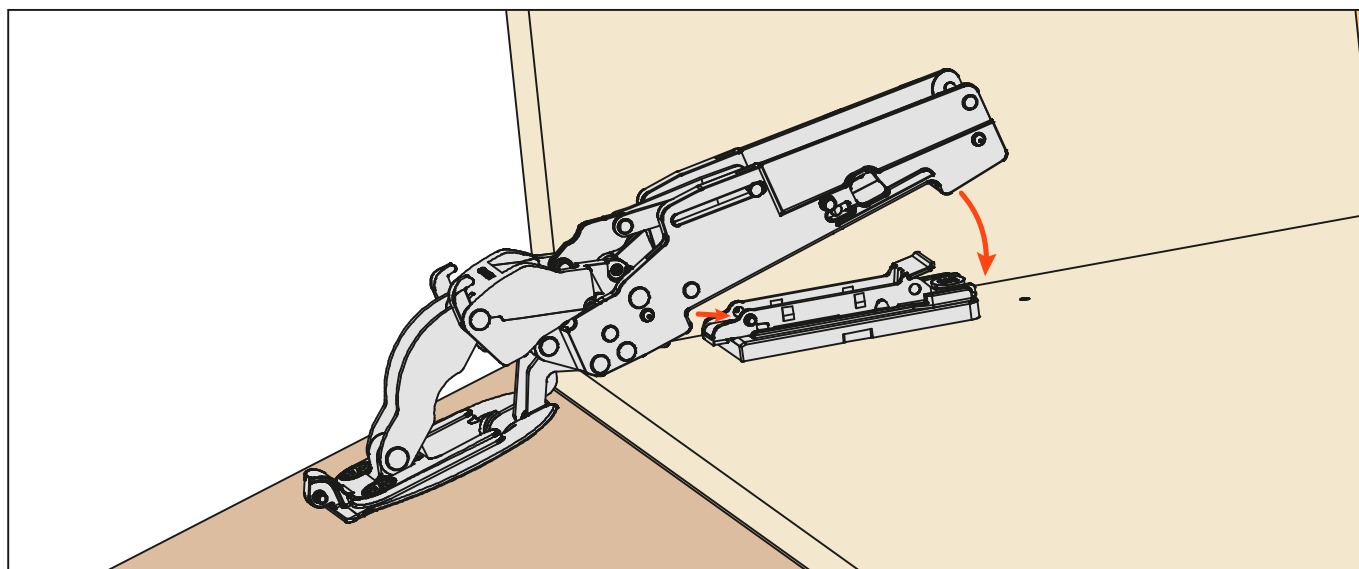


**Fixing the hinge to the door**

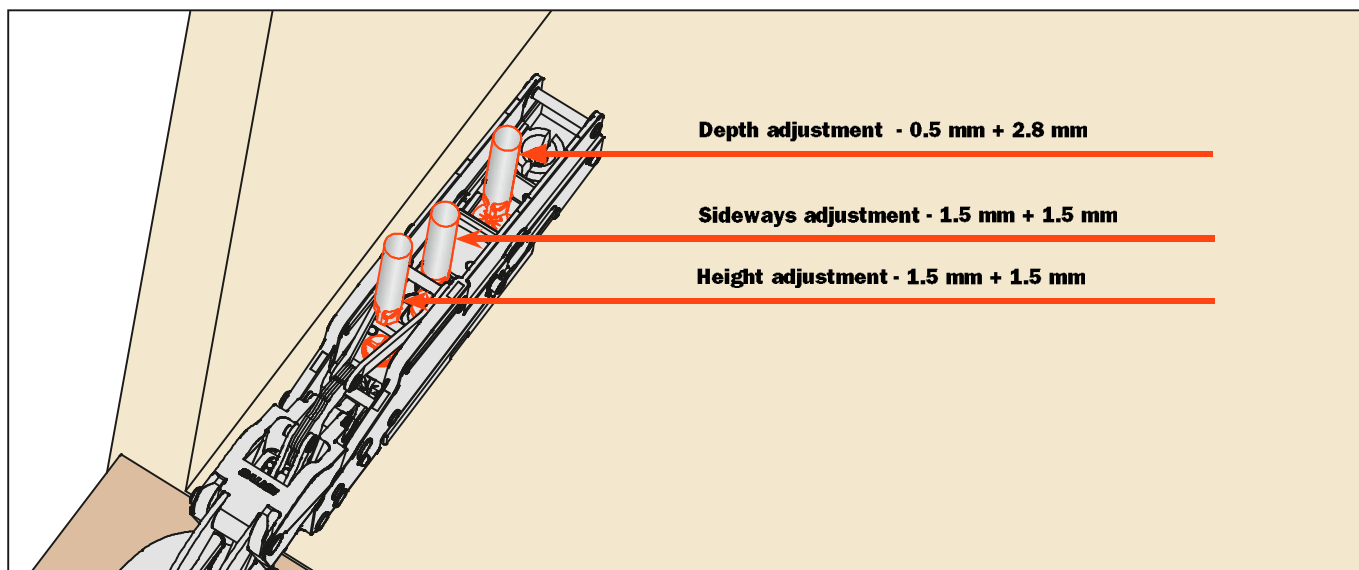


**Mounting the door onto the cabinet**

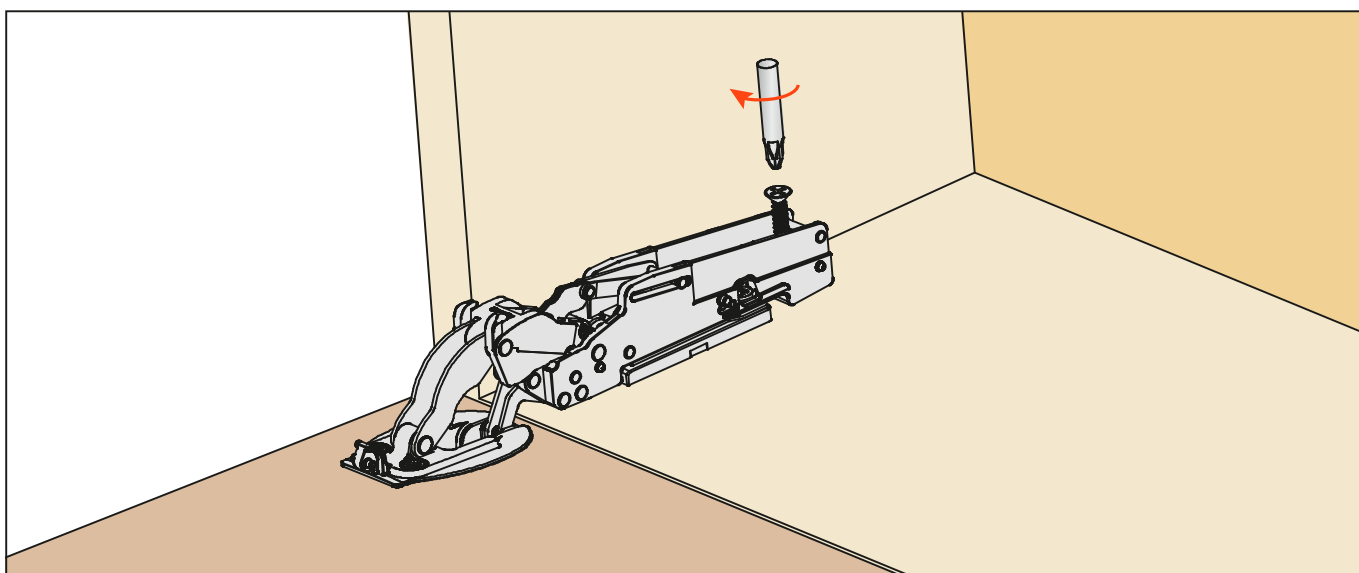
Clip the hinge arm onto the mounting plates. This operation is tool free.



## Adjustments

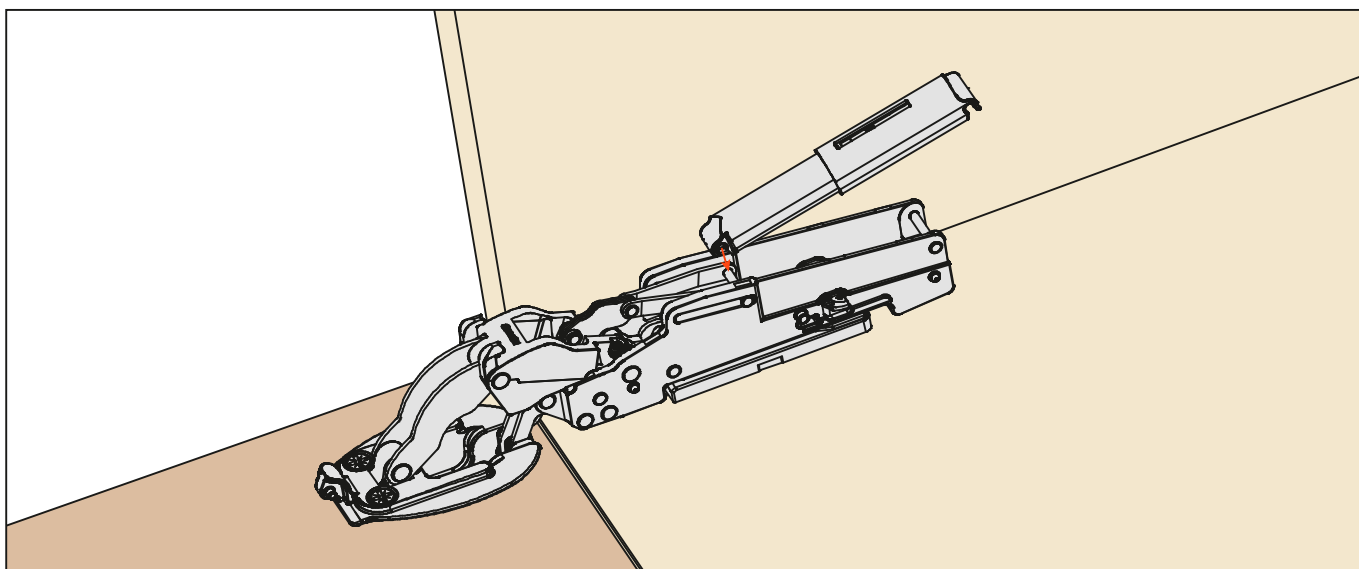


## Fix the security screw

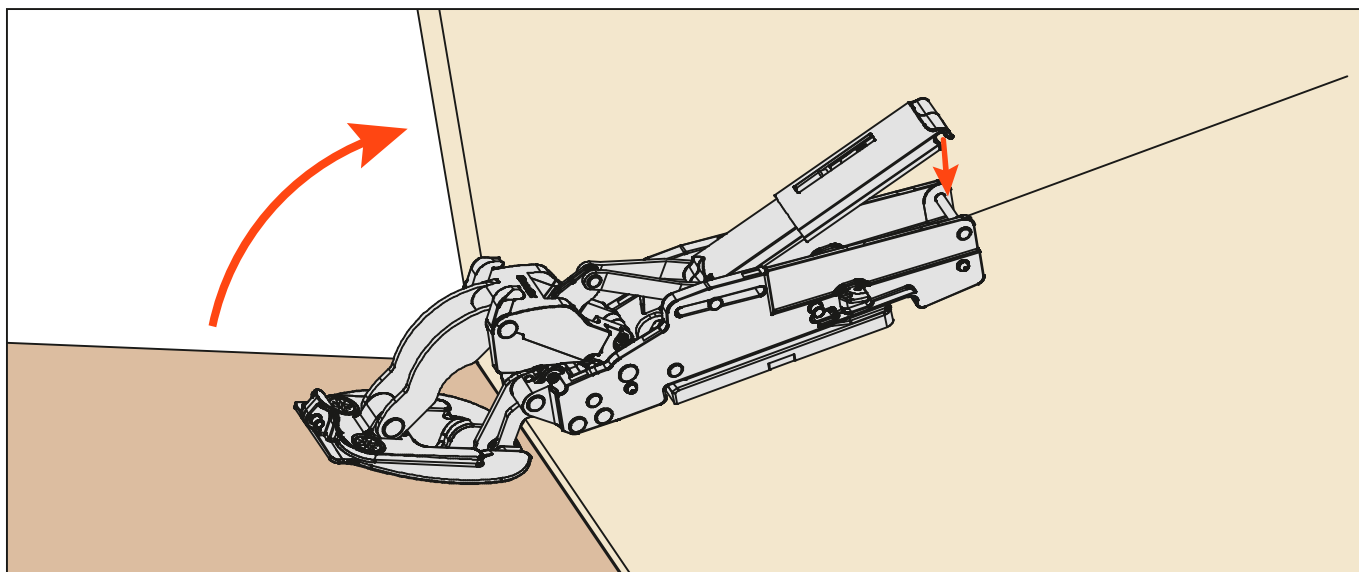


## Installing the Smove

Clip the narrow end of the Smove into position. This operation is tool free.

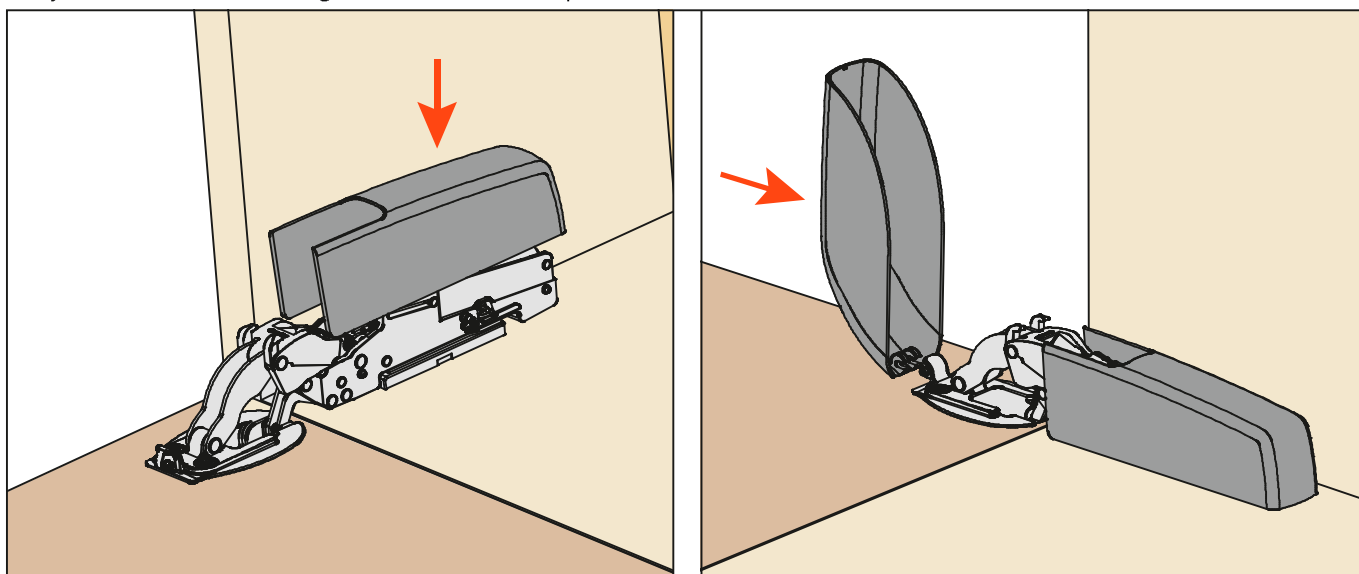


Lift the flap slightly and clip the other end of the Smove into position. This operation is tool free.

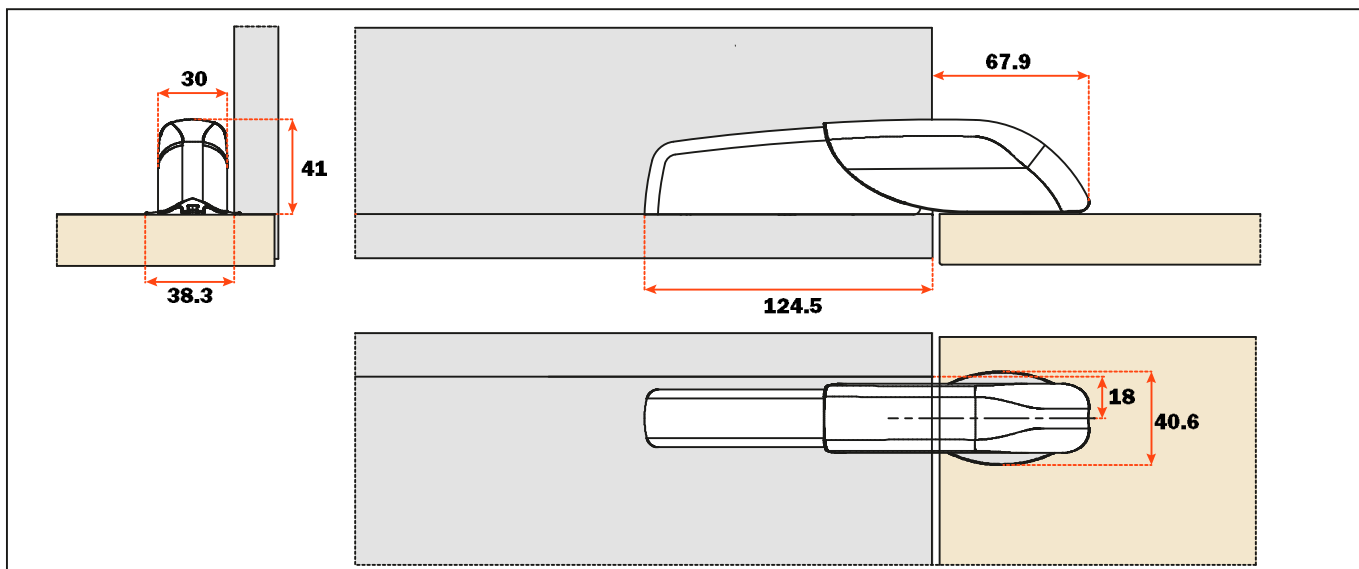


## Installing the cover

Firstly install the cover on the hinge arm and then to the cup.



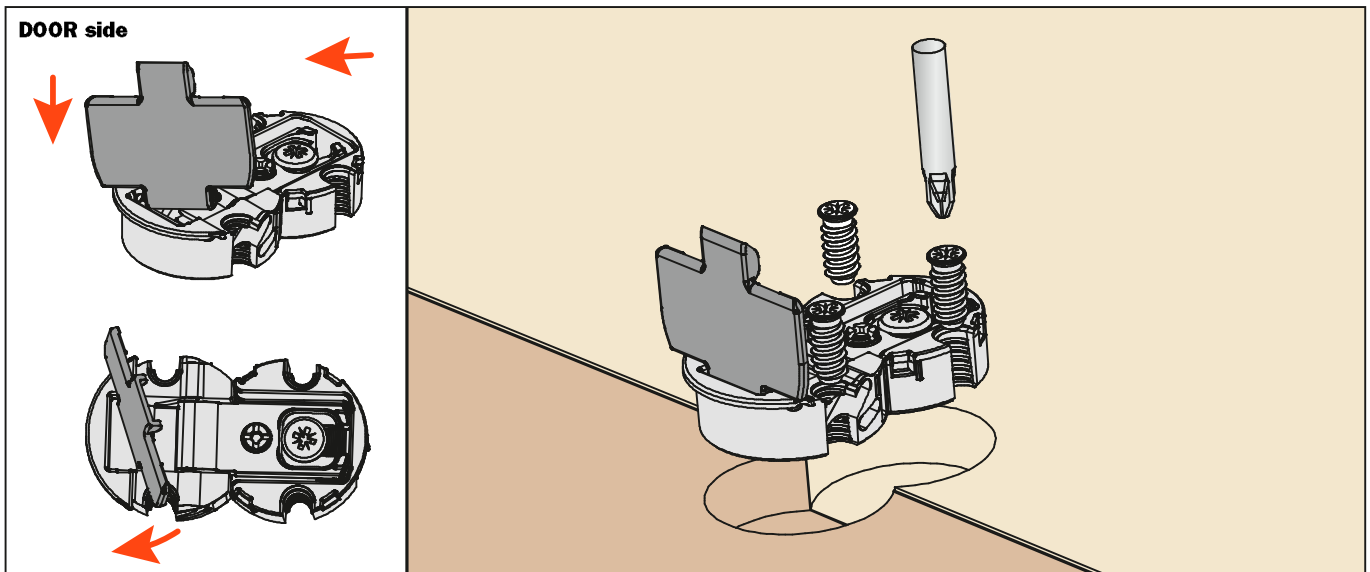
## Dimensions



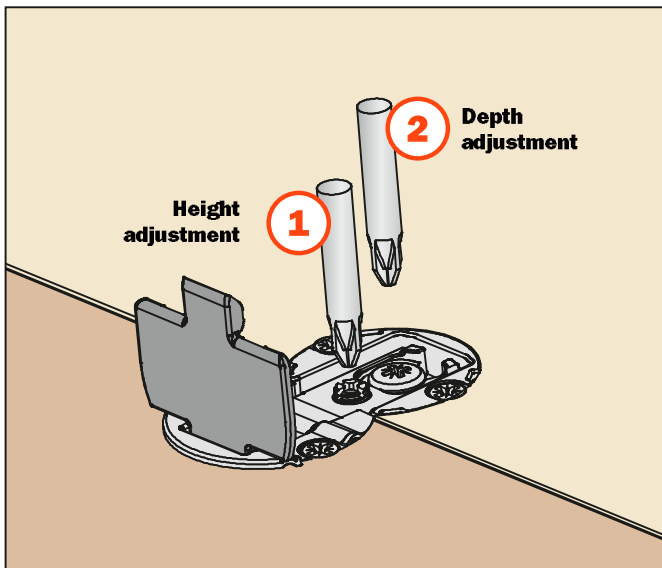
## Assembly instructions for the central hinge

### Application of the central hinge

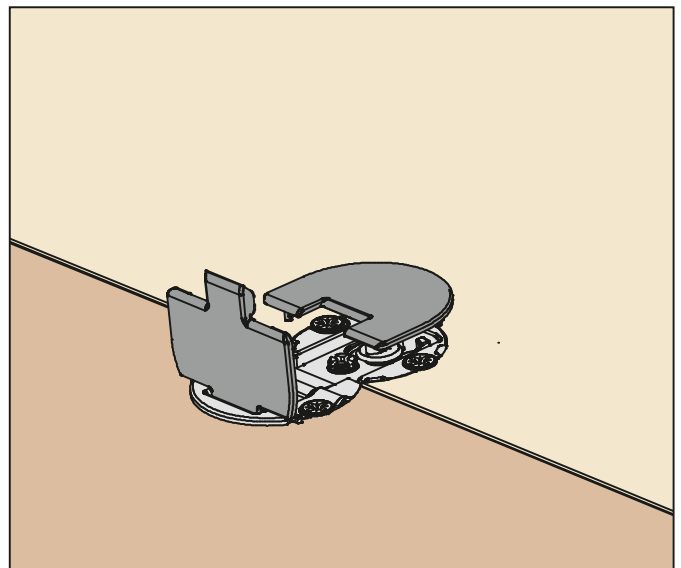
We suggest that you use the central hinge for cabinets over 900 mm width.  
Install the cover cap onto the hinge according to the drawing and then screw-fix the hinge to the cabinet.



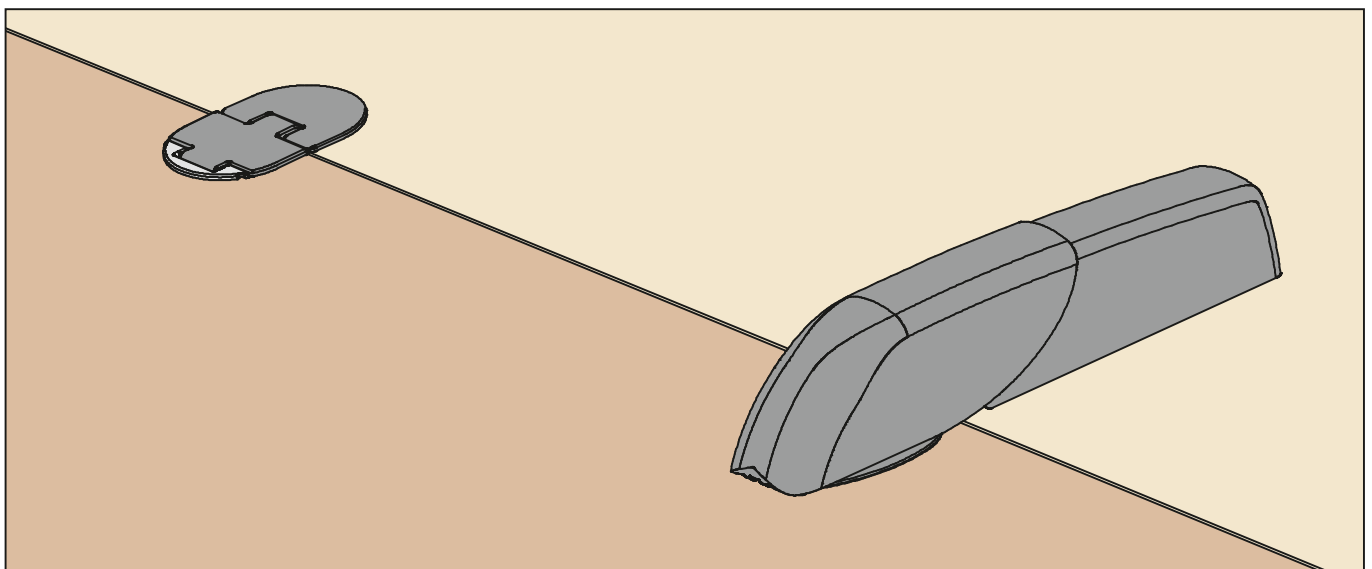
After fixing the hinge, make any adjustments required



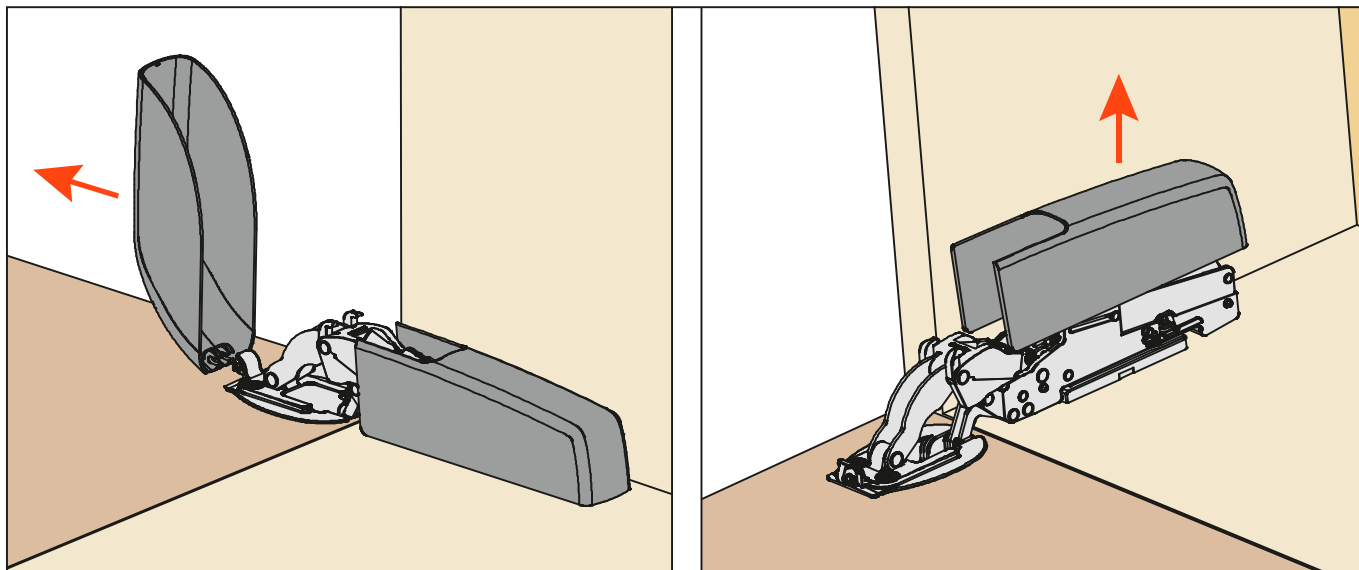
Install the cover cap onto the hinge on the cabinet side



Overall view of the mounted system

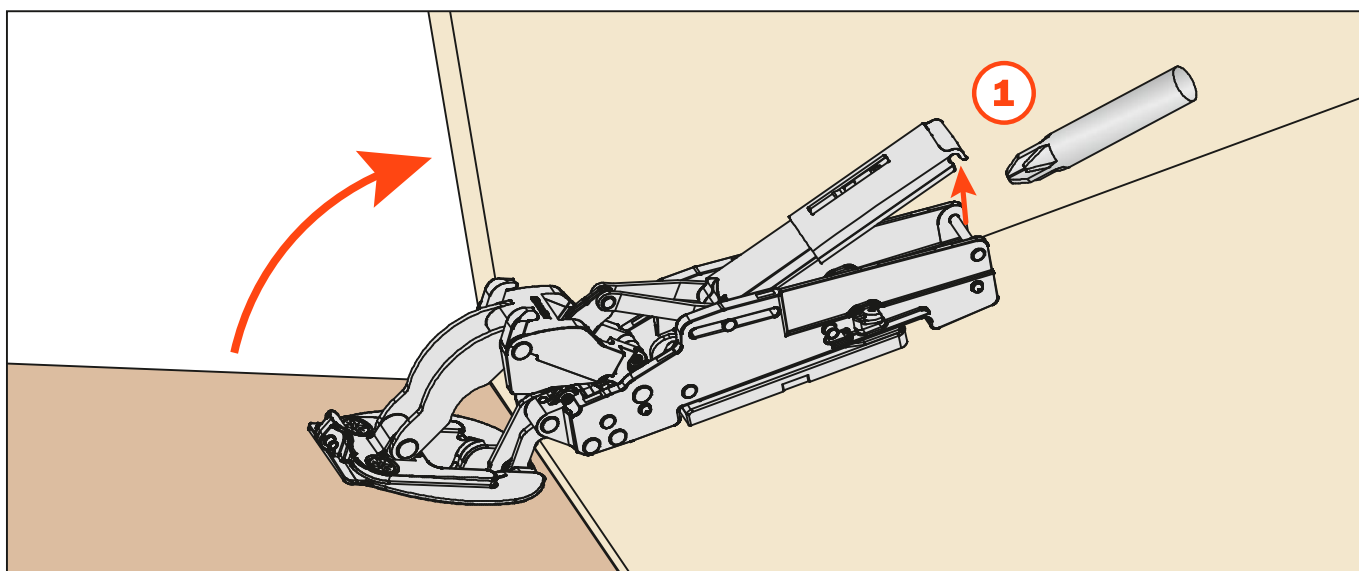


**Removal of the cover**

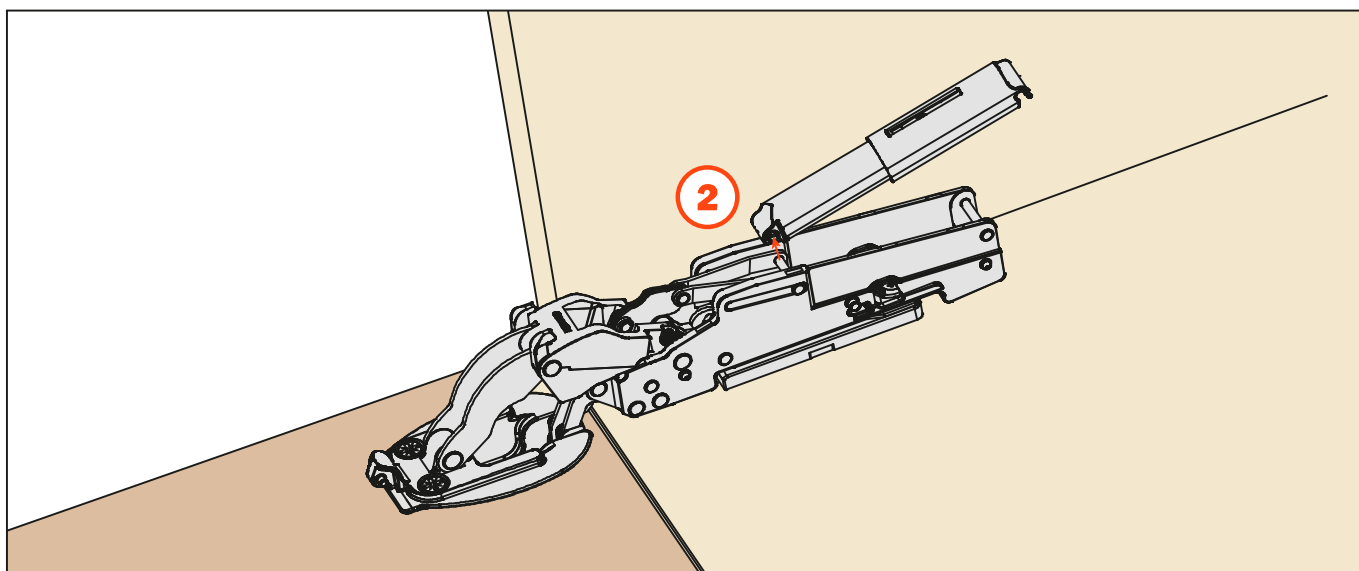


**Disassembly of the Smove**

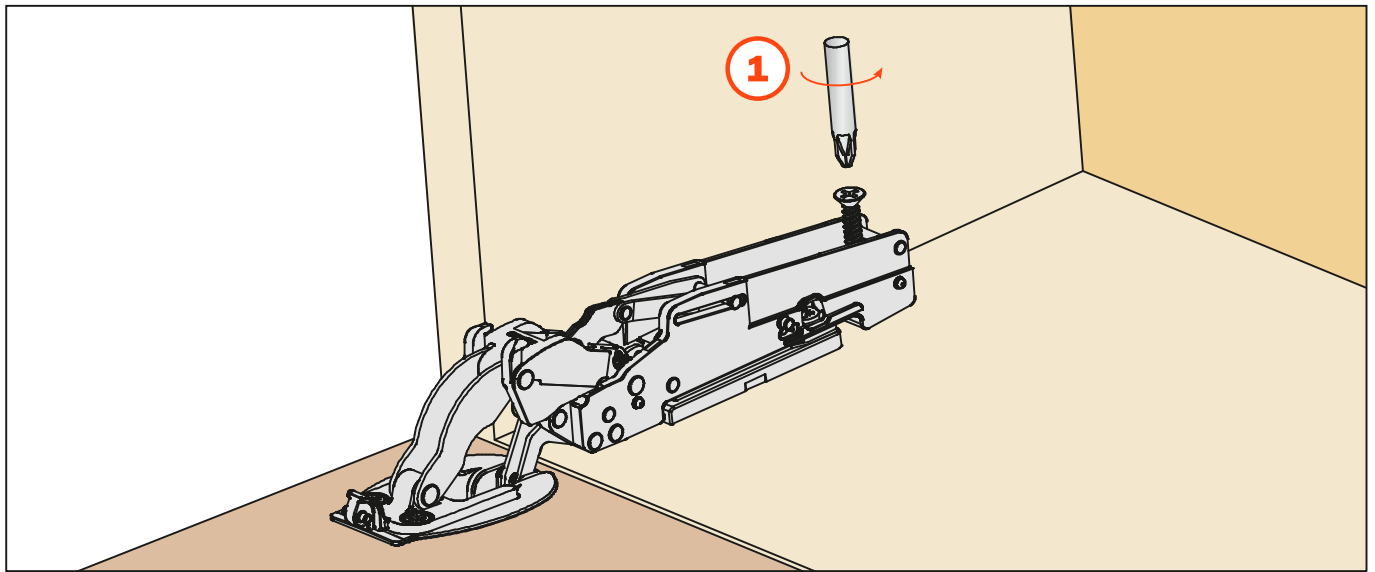
Lift the flap slightly and unclip the back of the Smove using a screwdriver.



Remove the other end of the Smove.



**Remove the security screw**



**Unfasten the hinge from the mounting plate with a screwdriver**

