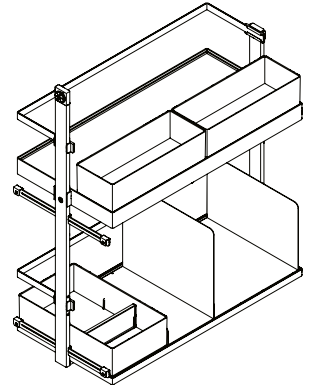


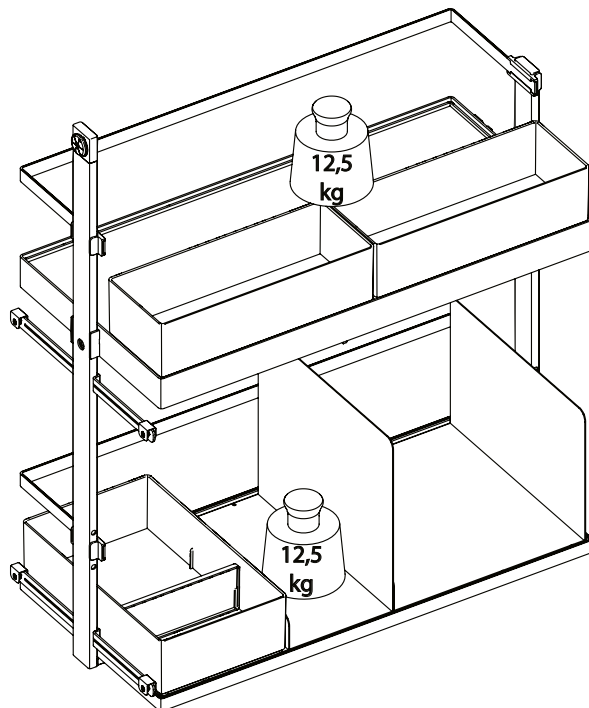
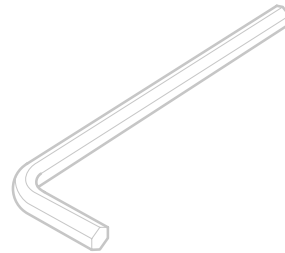


# Dedicated

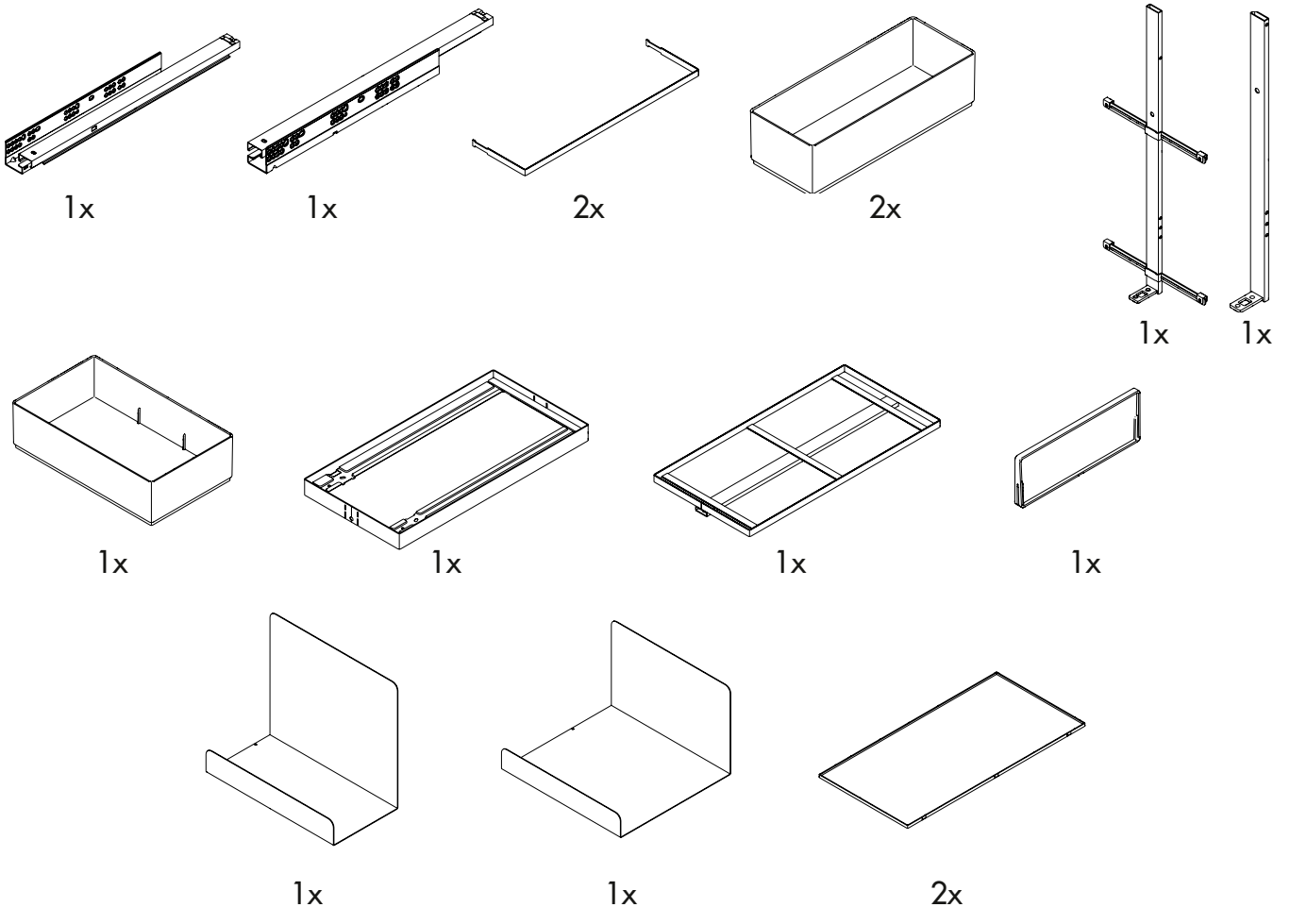
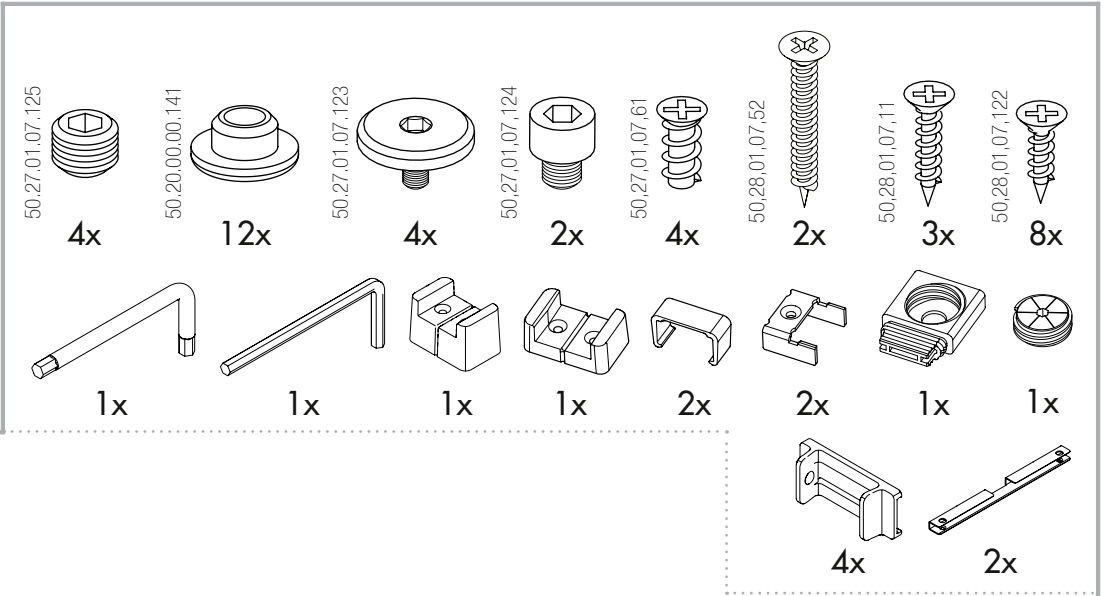
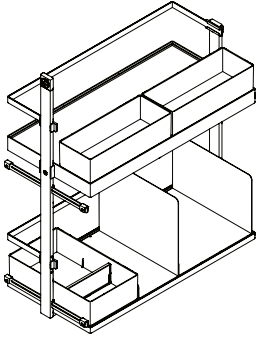


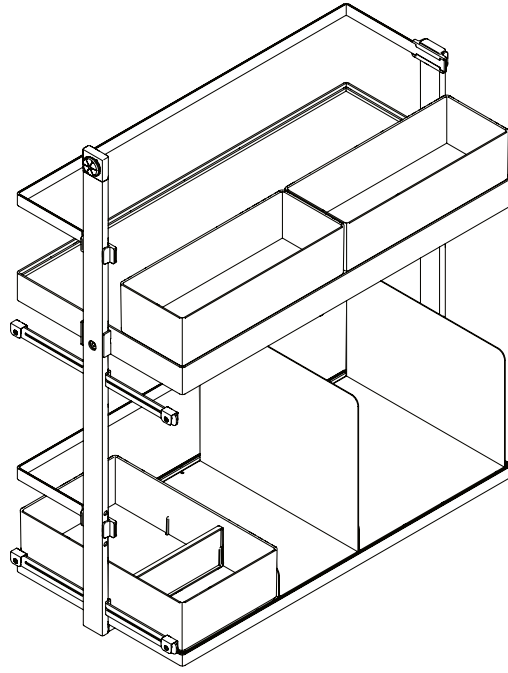
## Books & Bottles 300

8813



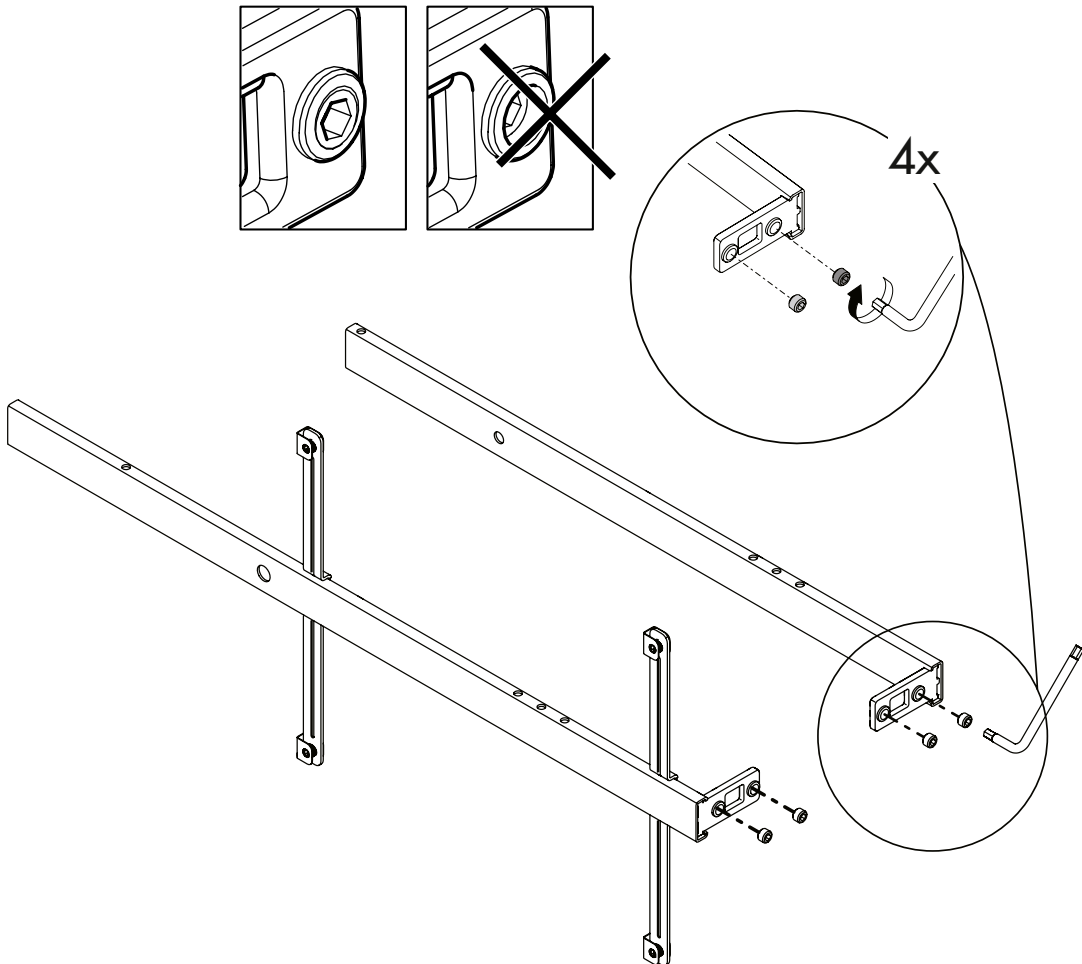
Books & Bottles 300



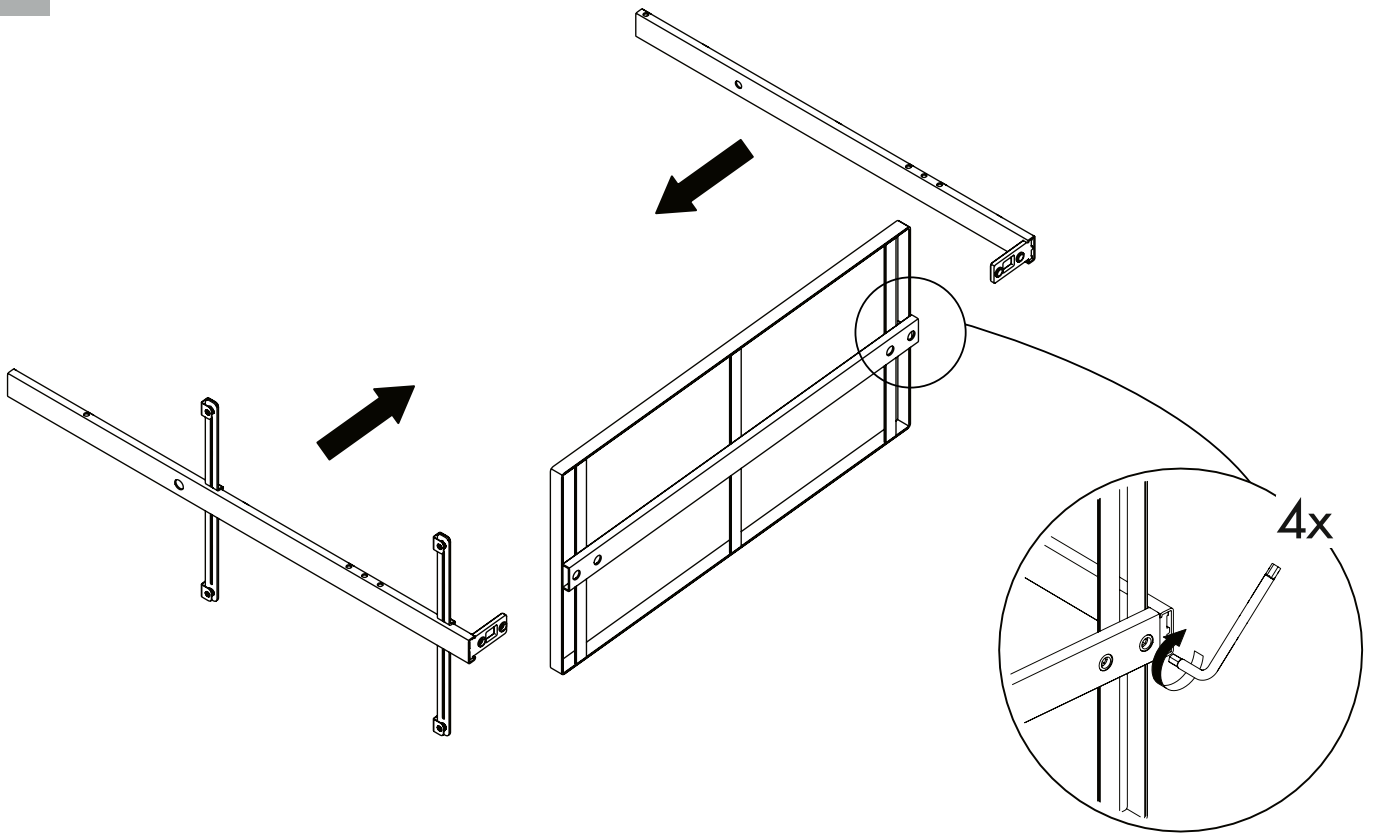


## Books & Bottles 300

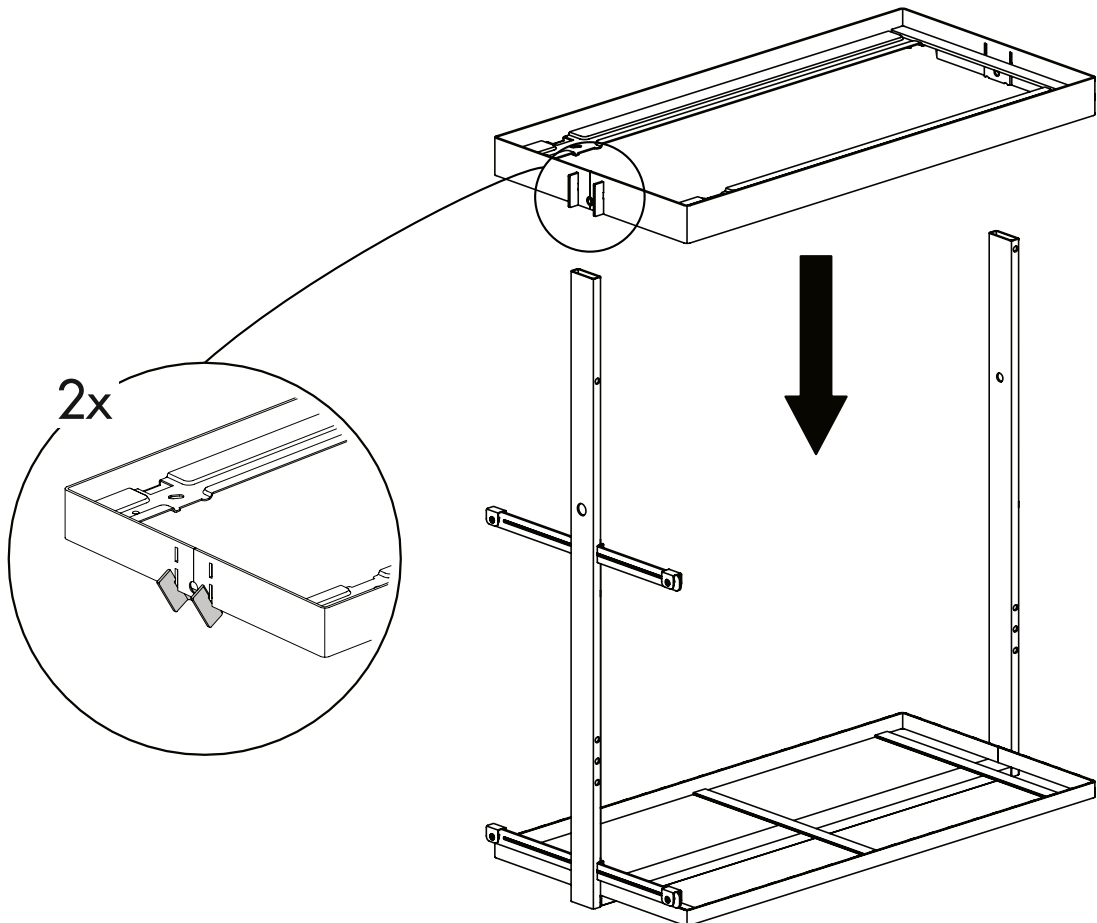
1



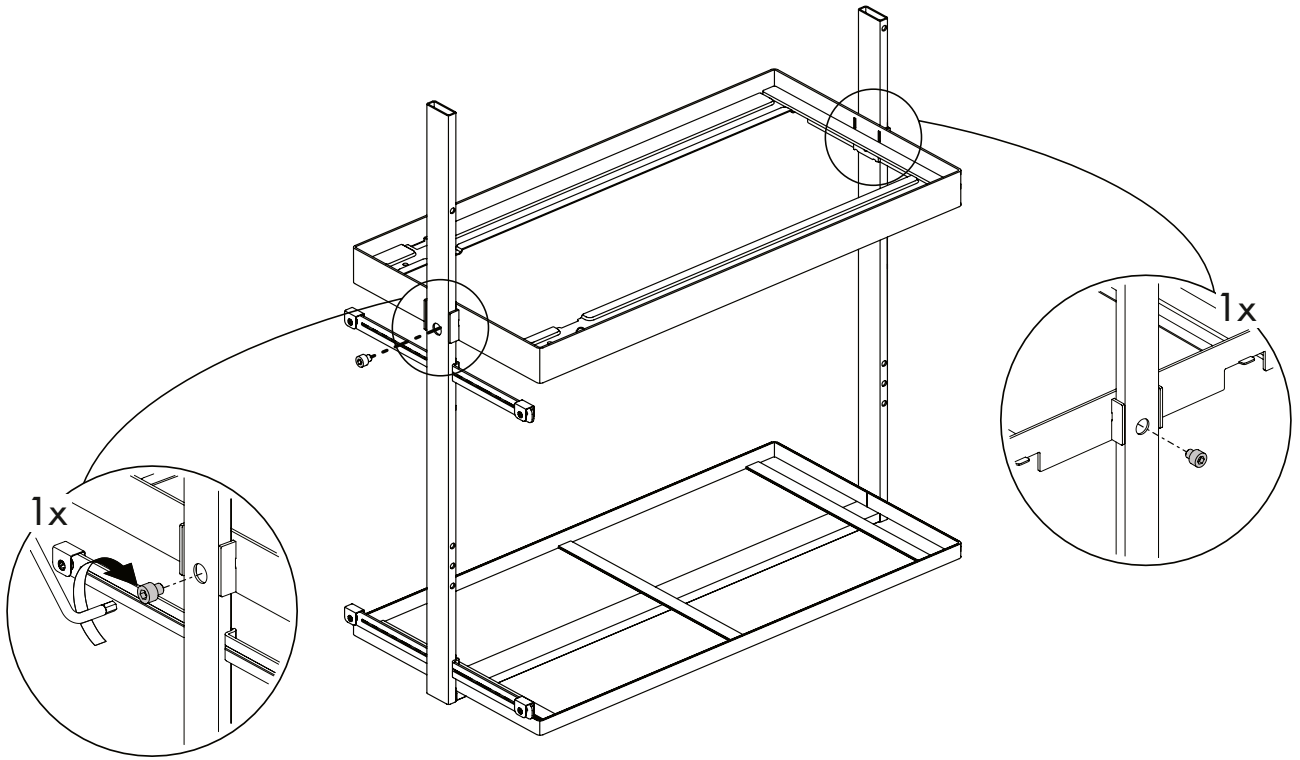
2



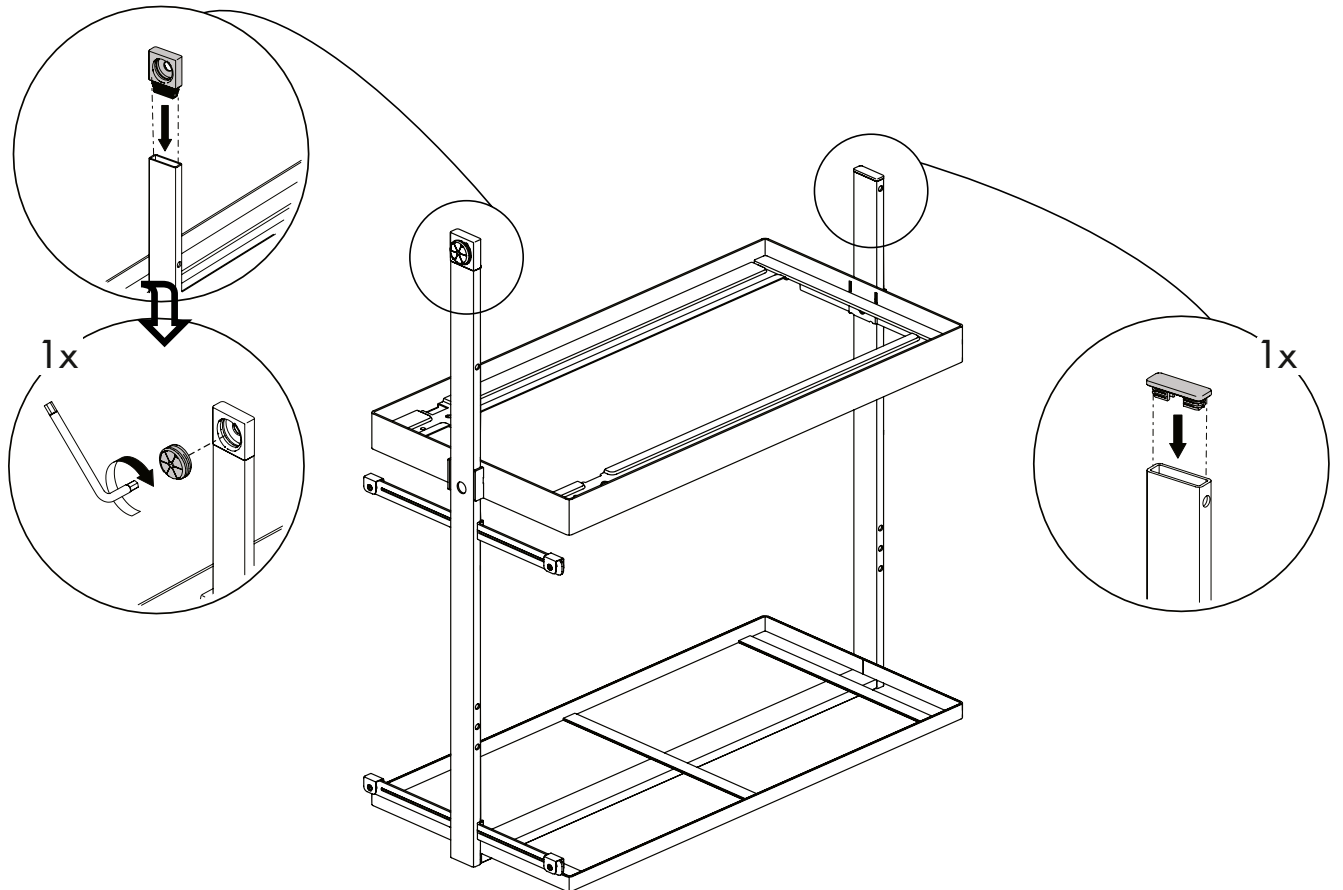
3



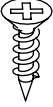

4

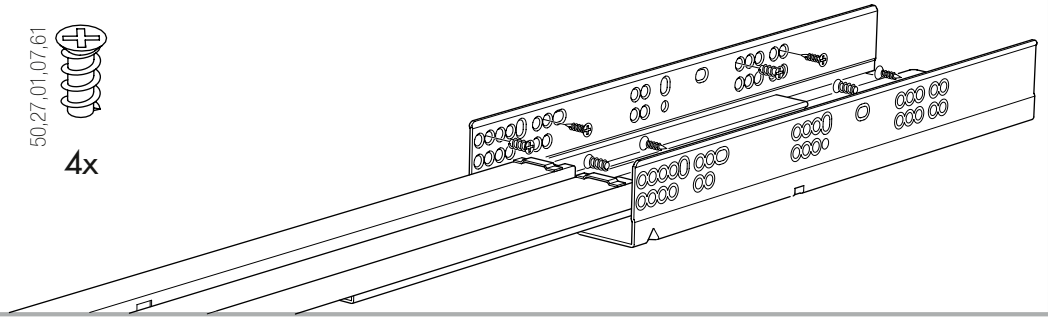


5



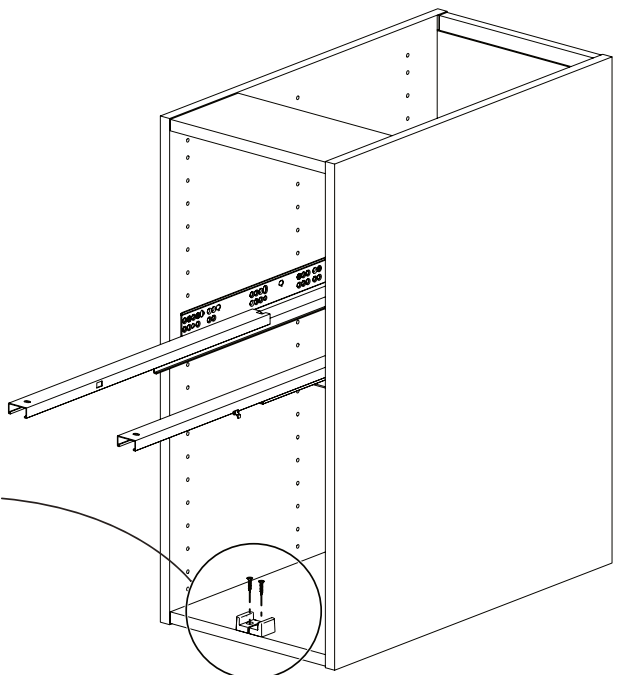
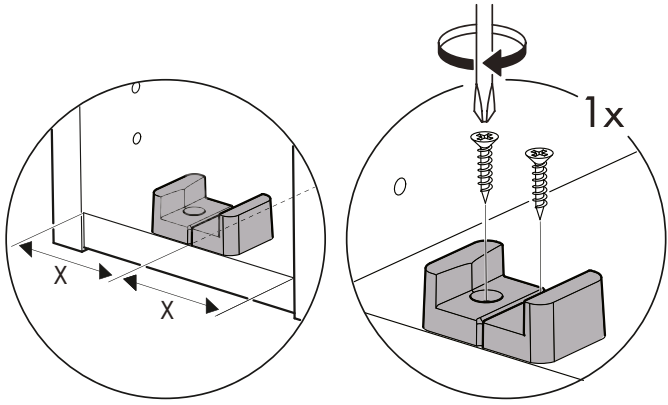
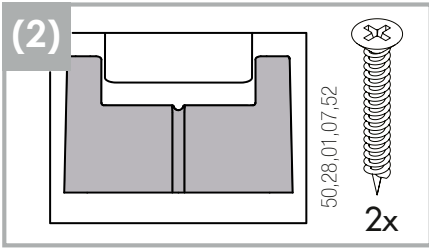
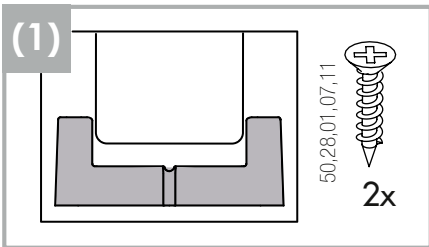
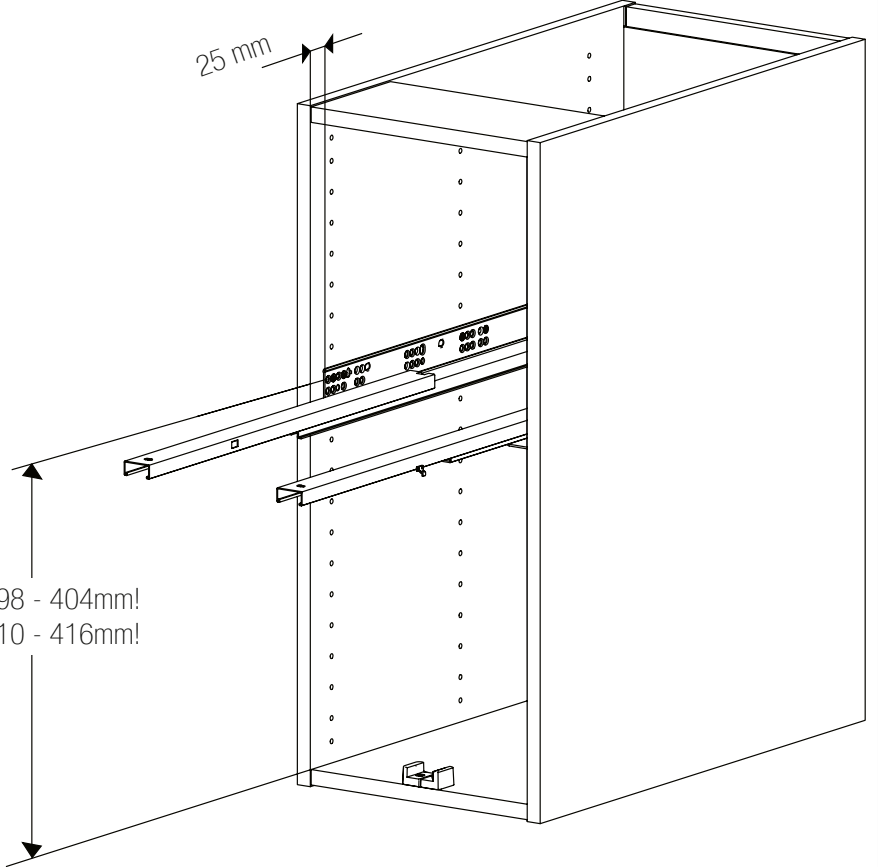
i

- 50,28,01,07,122  4x
- 50,27,01,07,61  4x

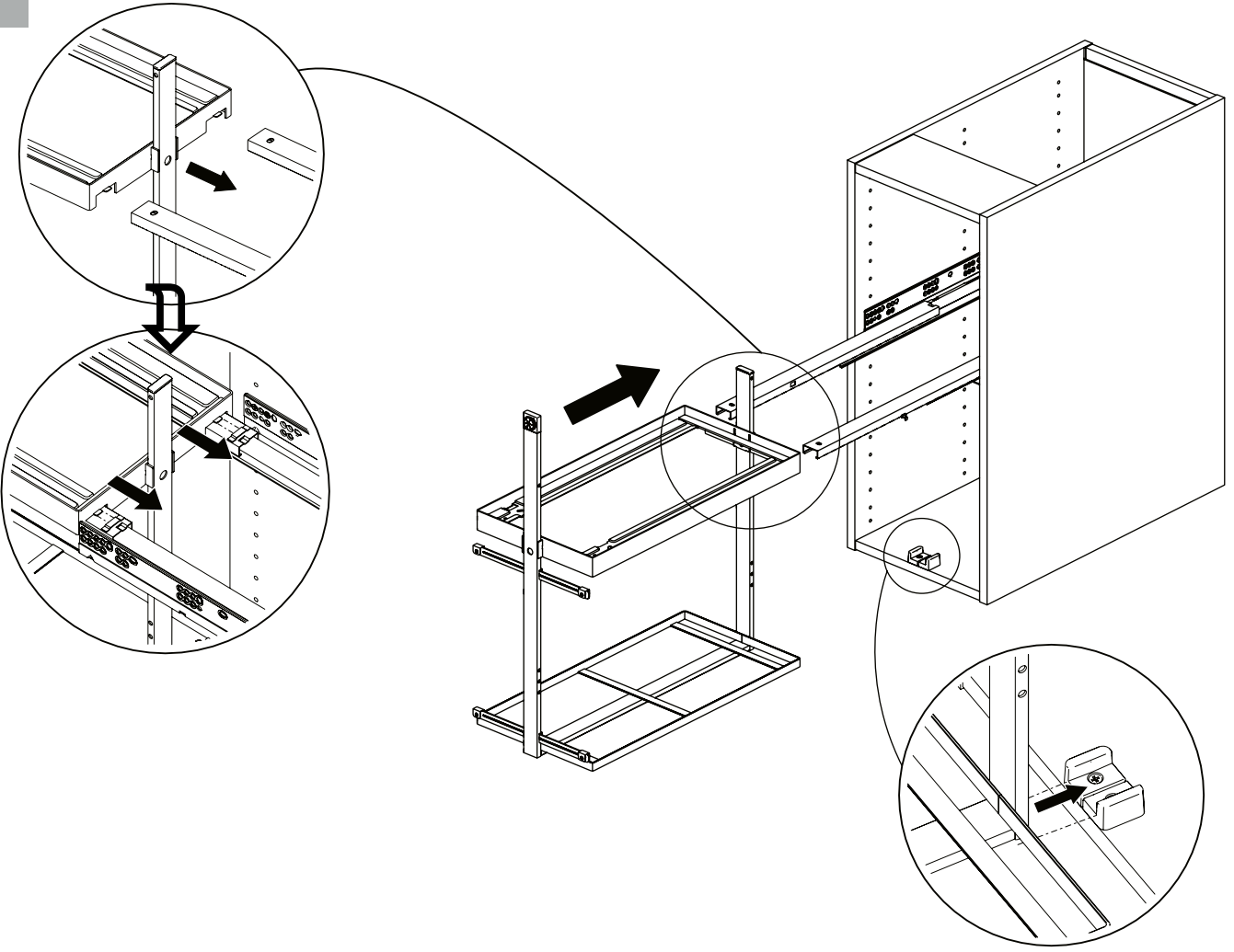


6

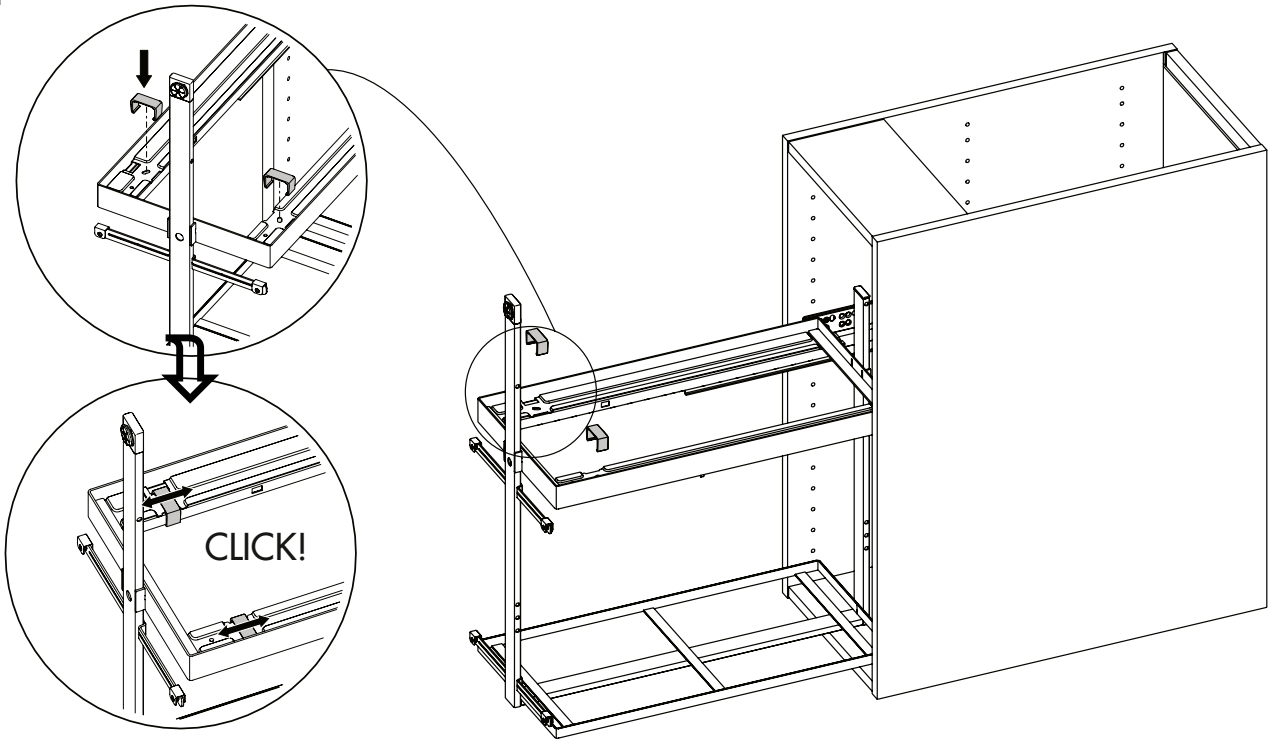
- (1) >398 - 404mm!
- (2) >410 - 416mm!

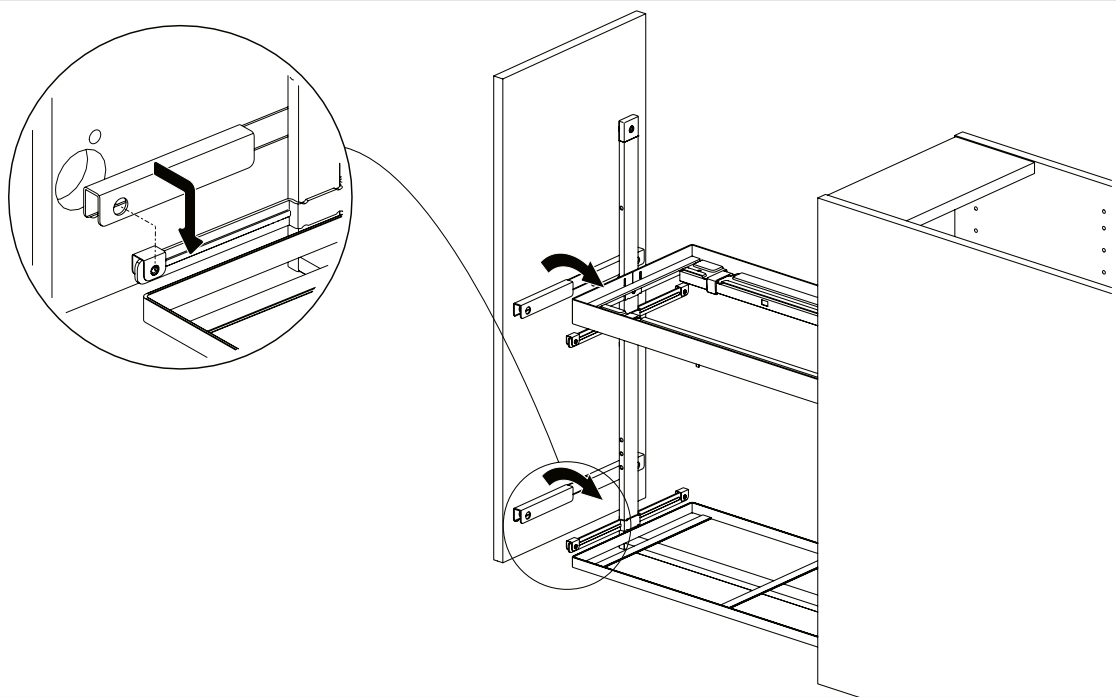
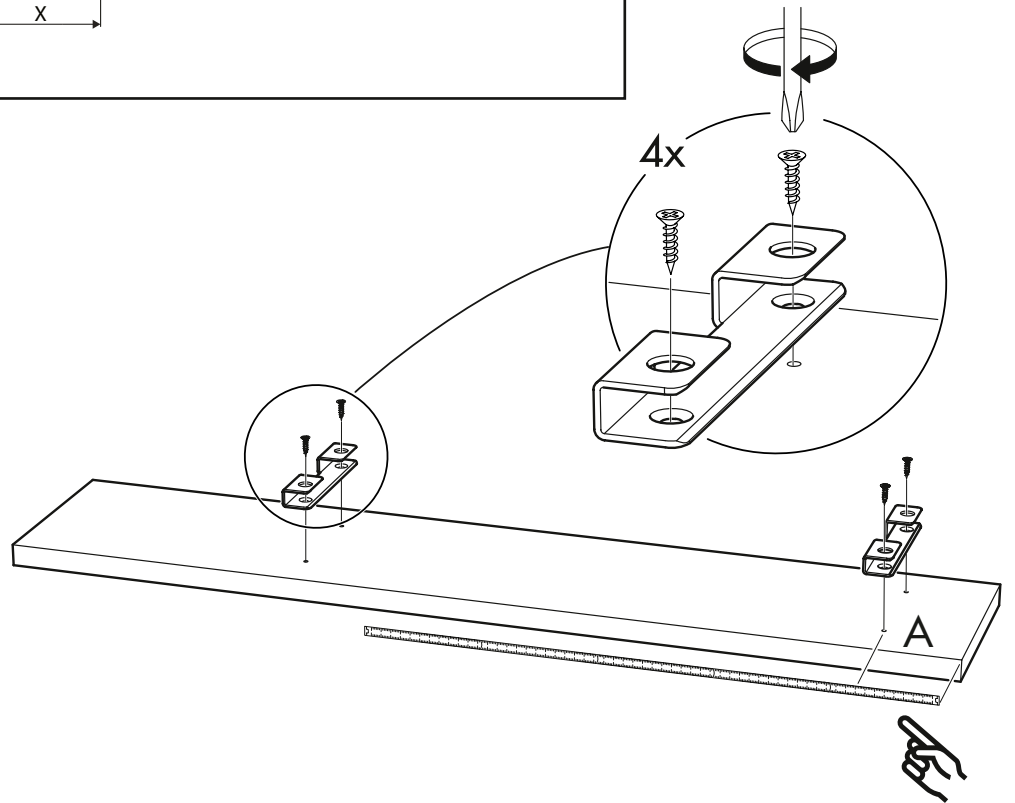
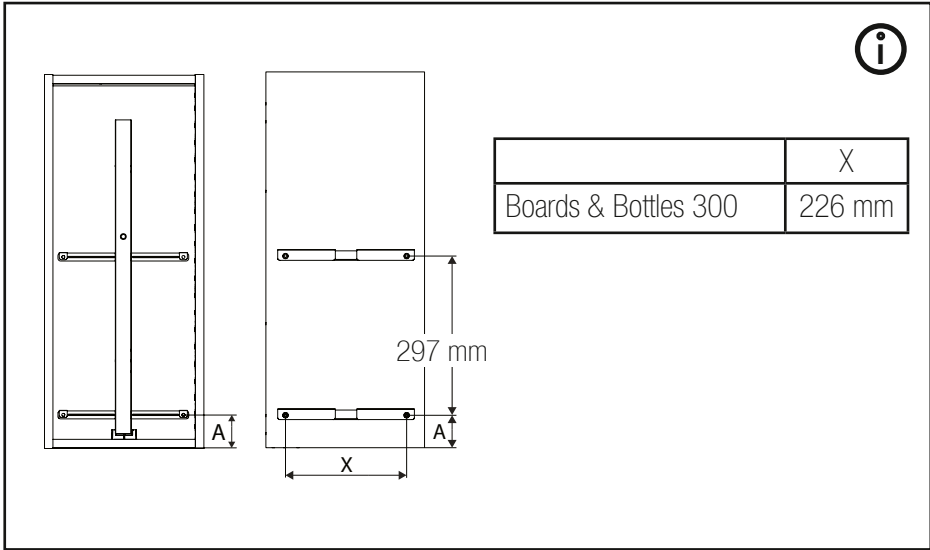


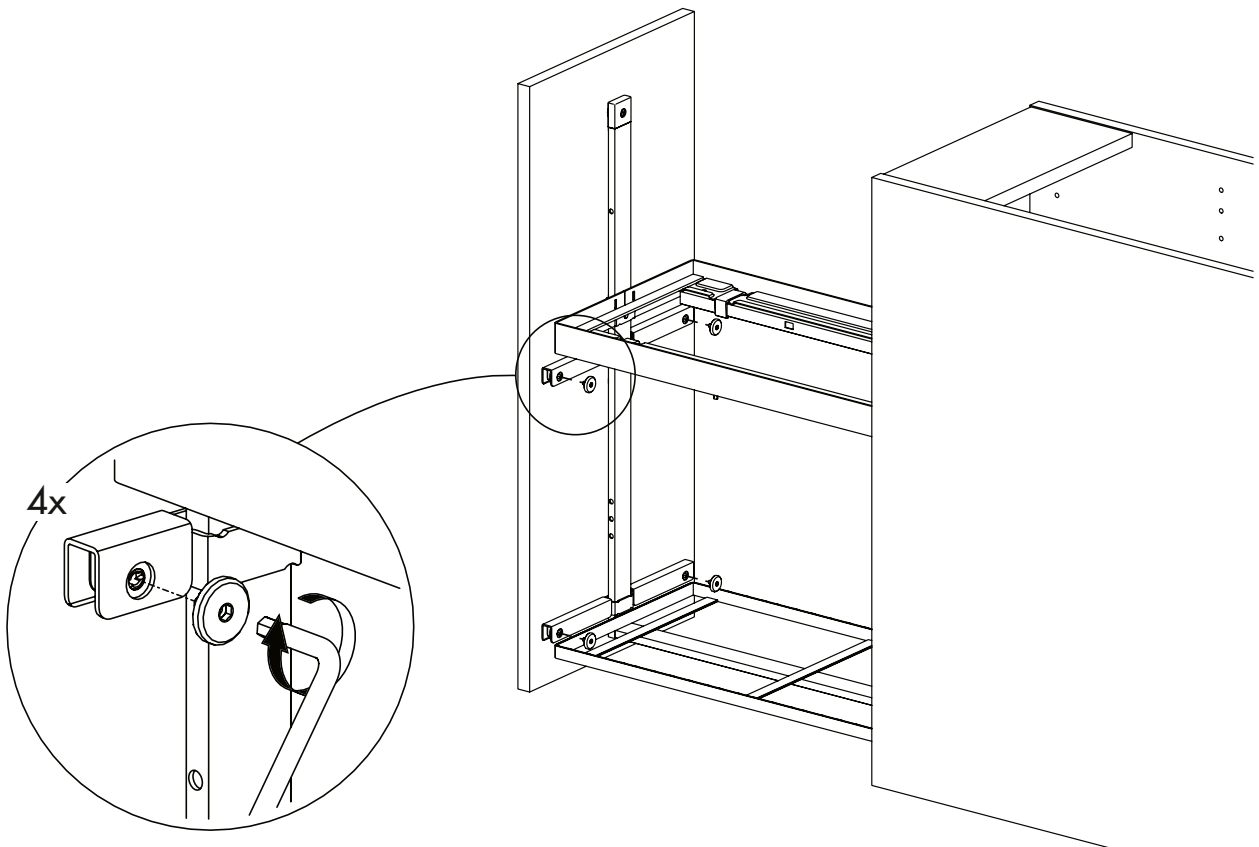
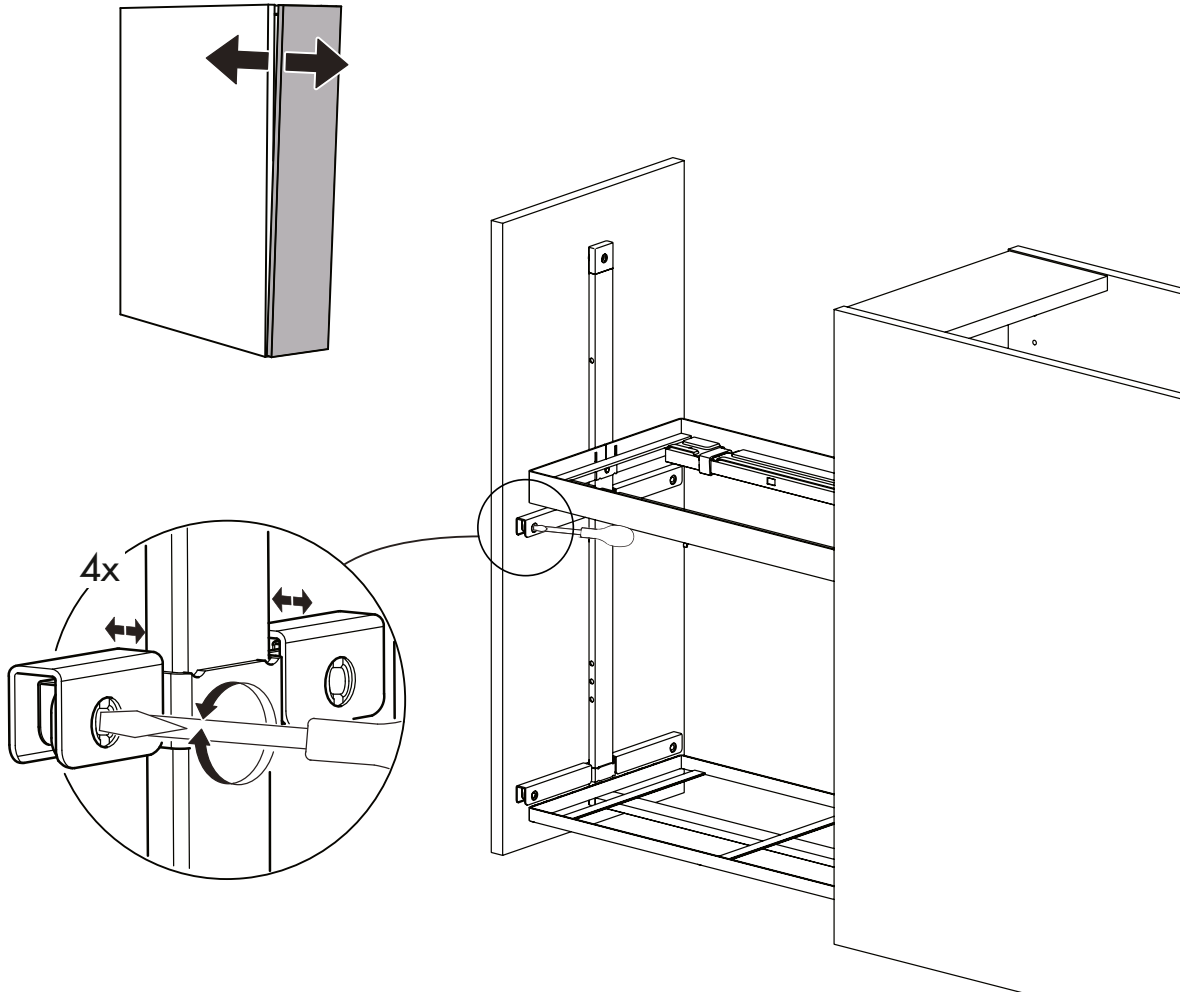
7

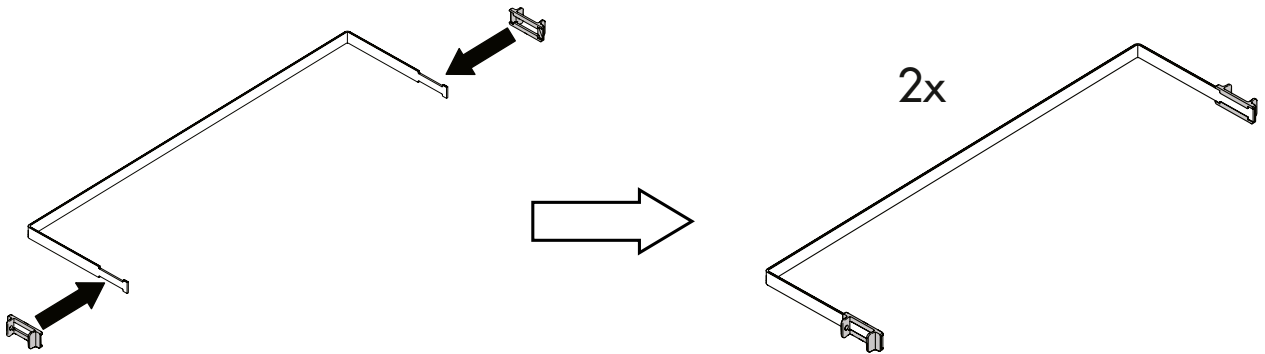
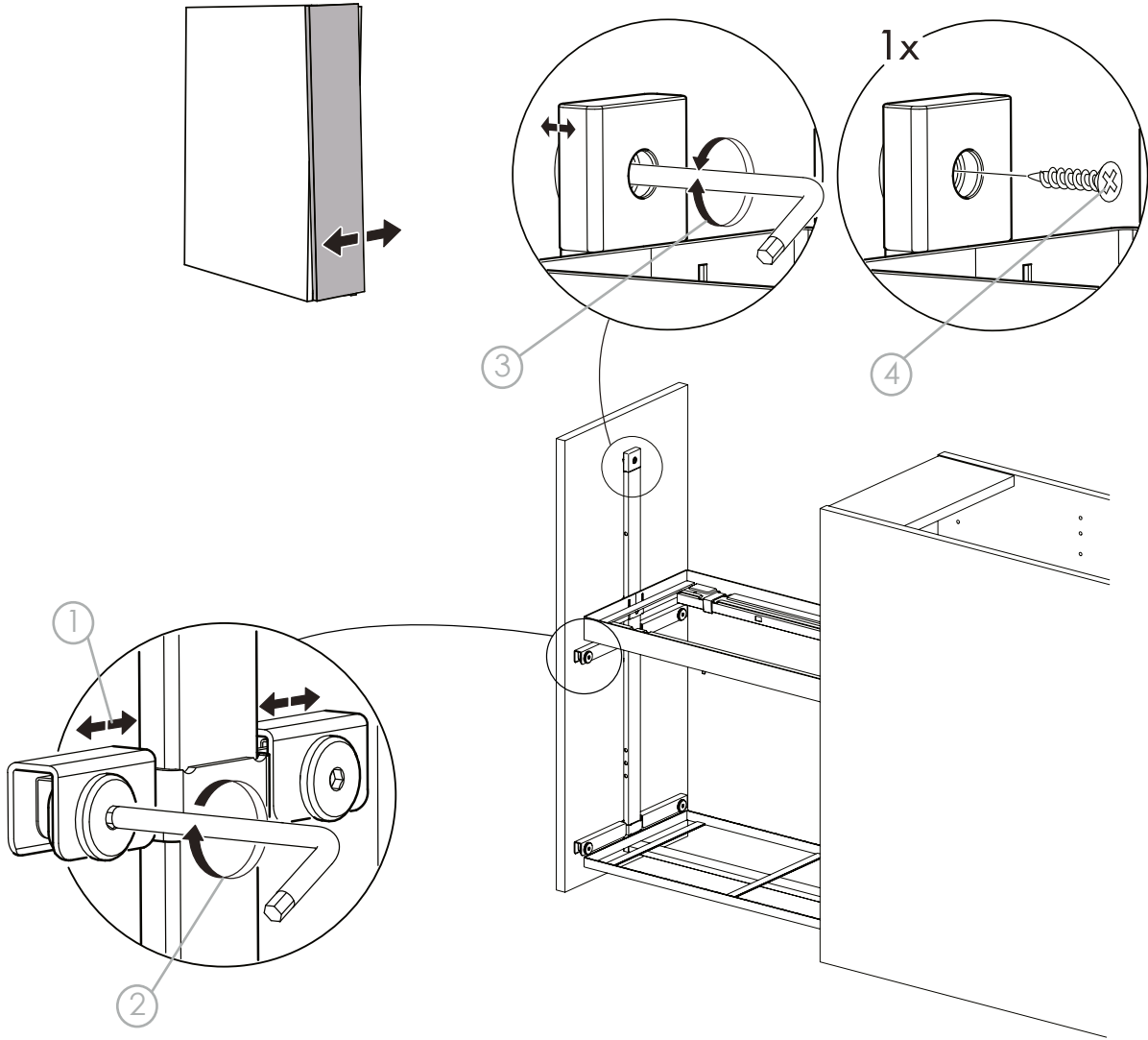


8

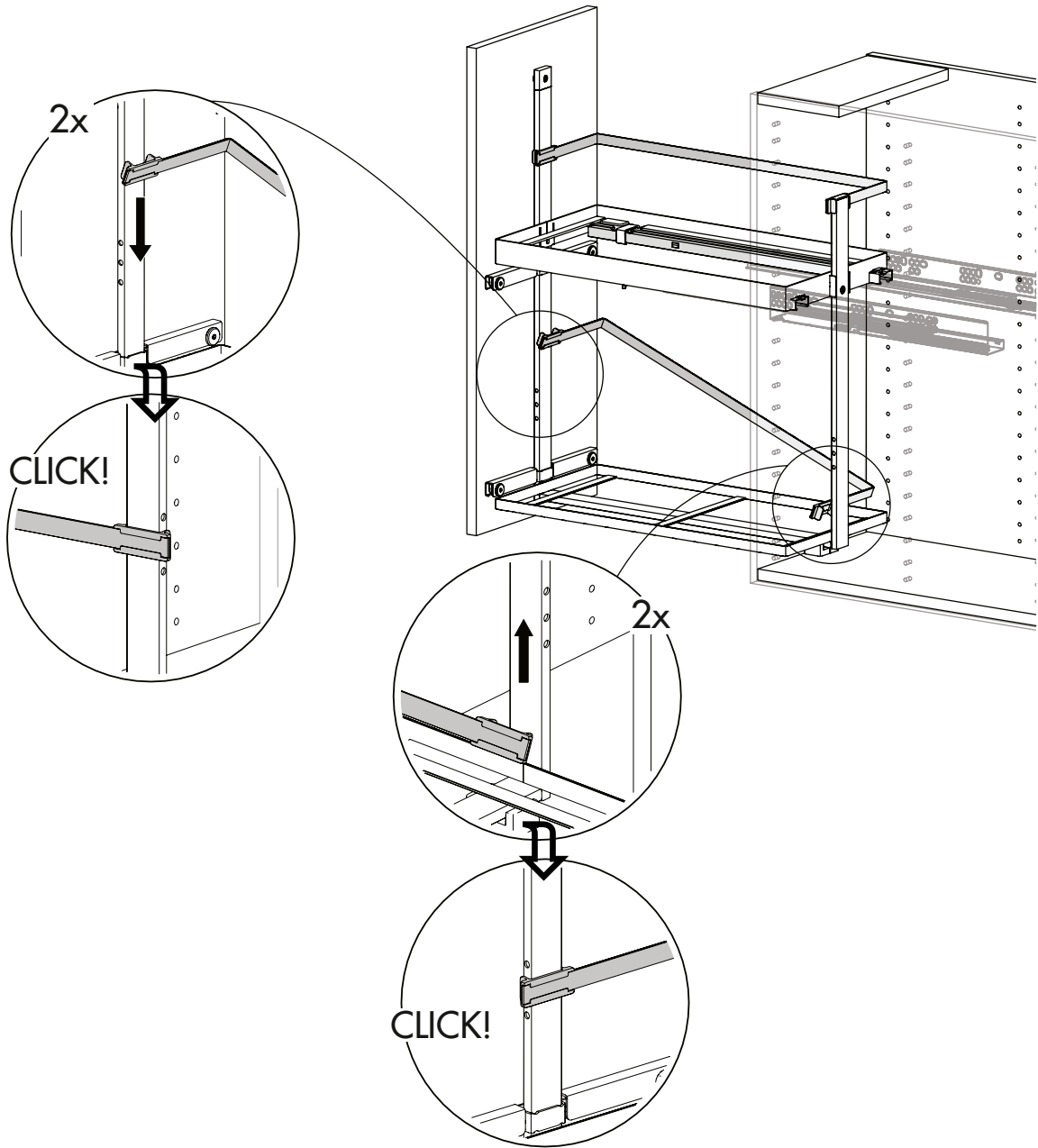




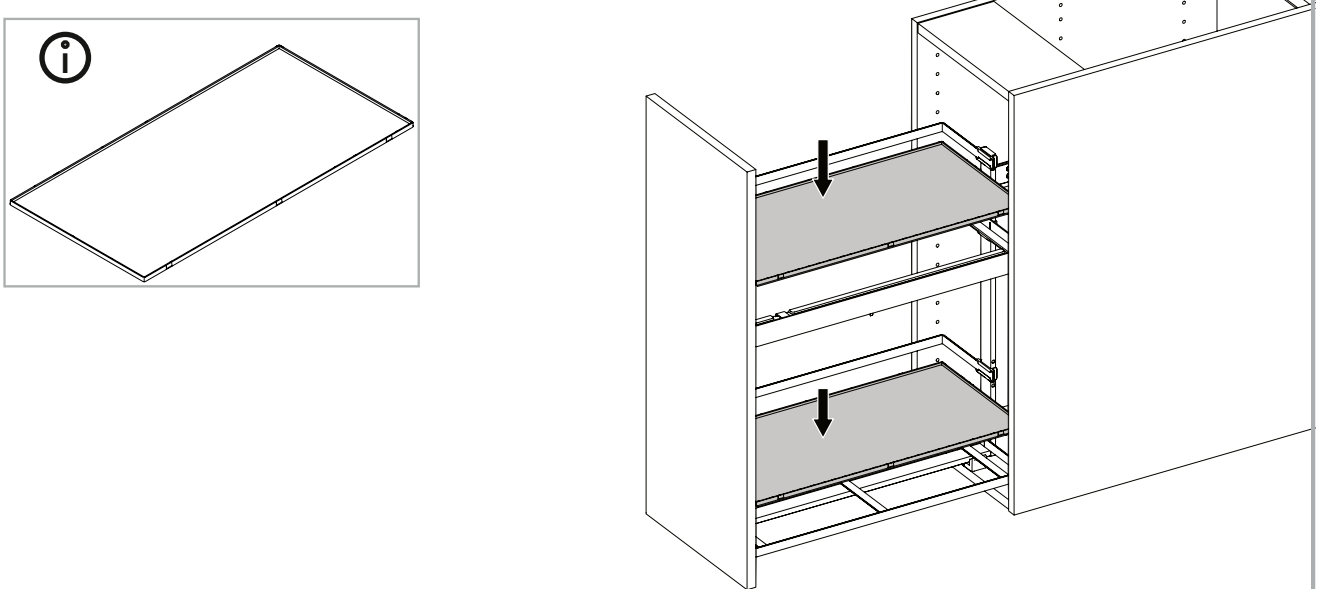


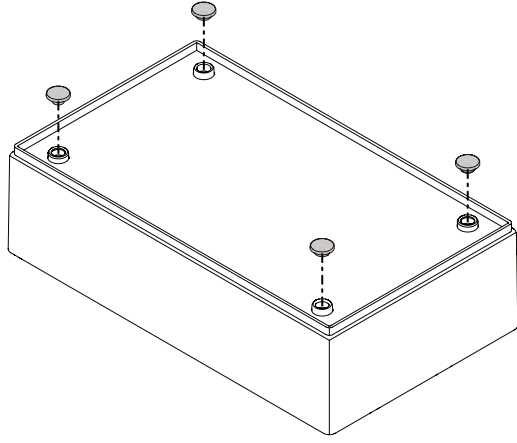


12

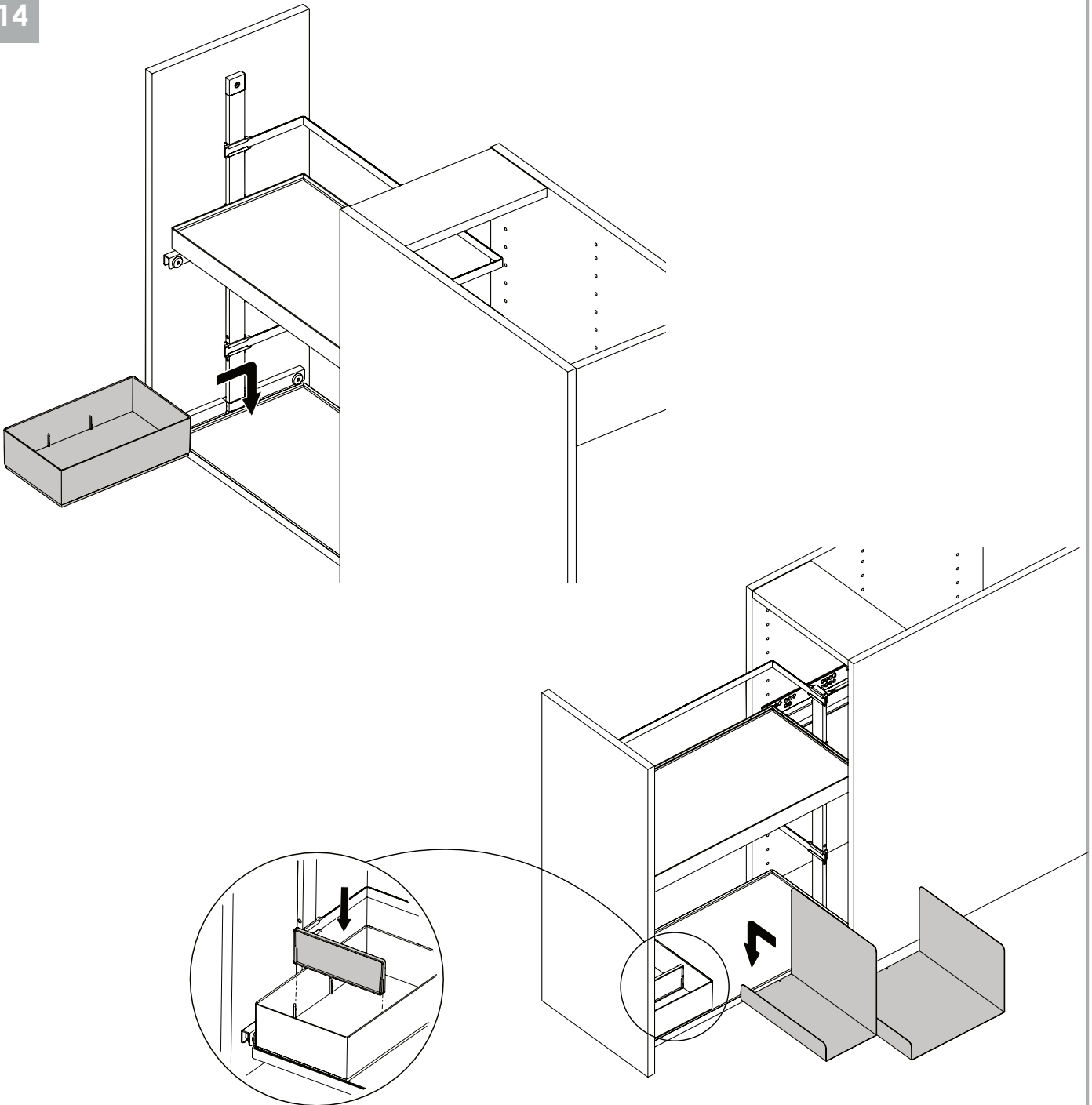


13

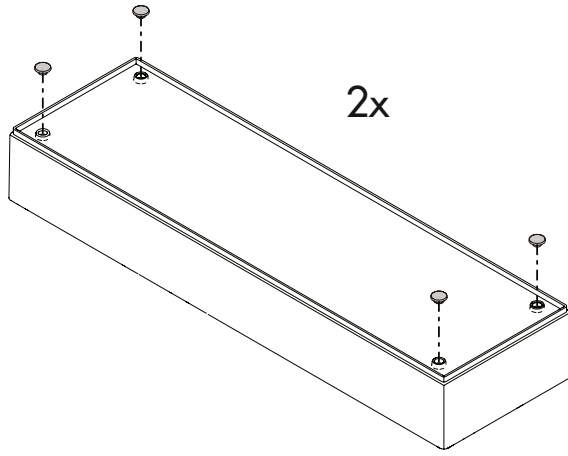




14



i



15

