

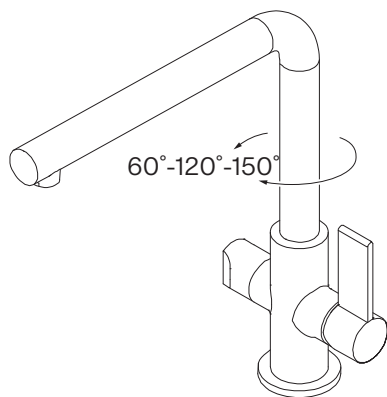
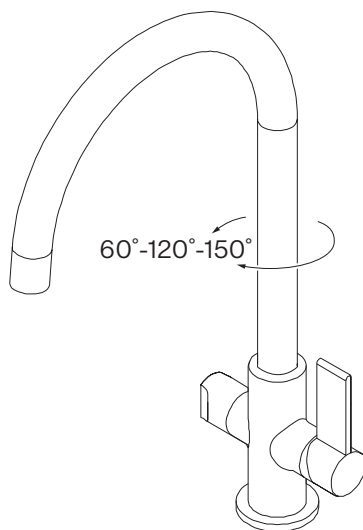
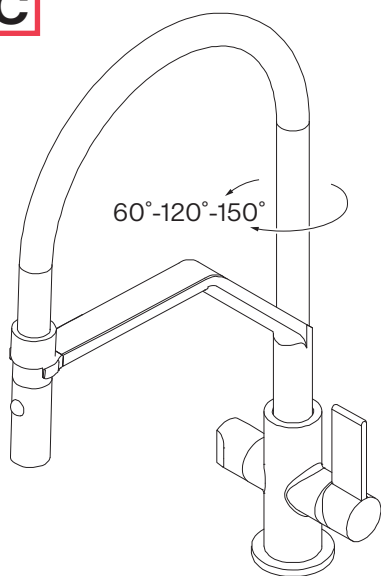
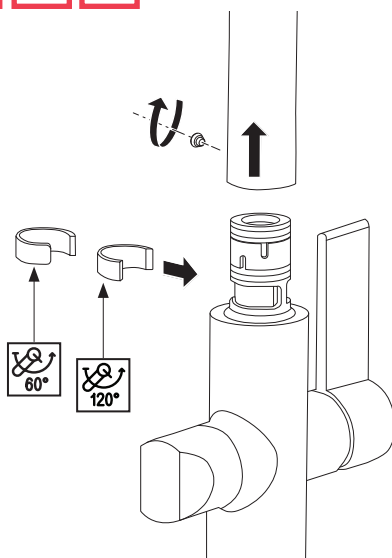
NEPTUNE L

NEPTUNE J

NEPTUNE SEMI PRO

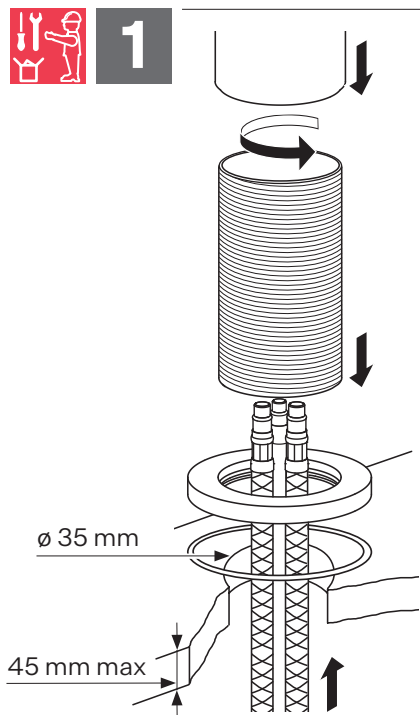
- FI** Asennus- ja huolto-ohje
- NO** Installasjons- og servicemanual
- SV** Installations- och servicehandbok

- Keittiöhana
- Kjøkkenkran
- Köksblandare

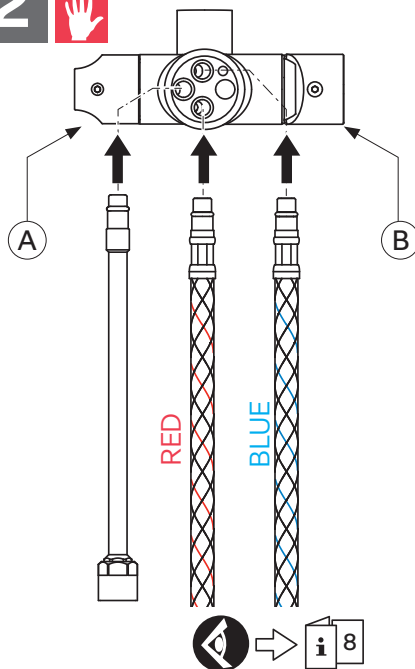
i**A****B****C****A B C**



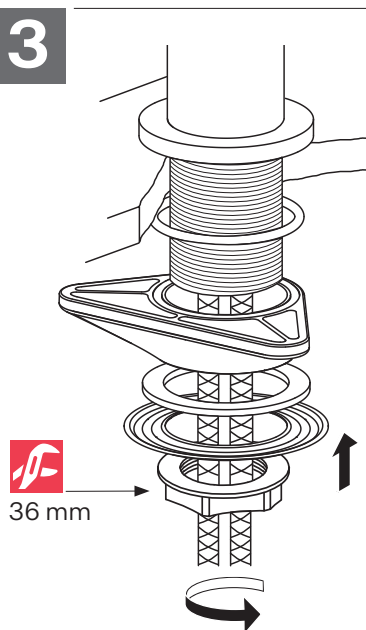
1



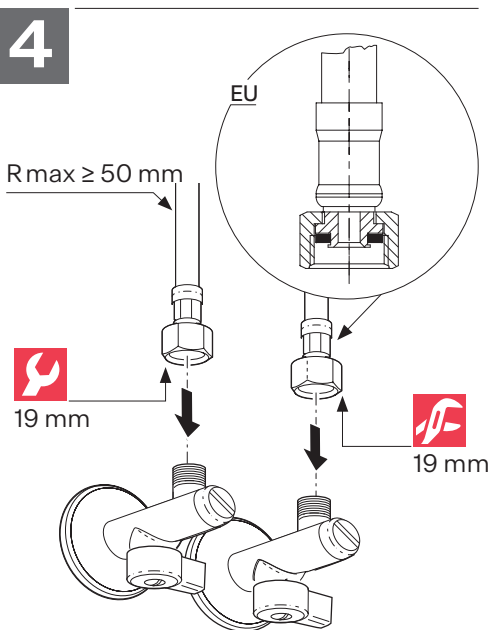
2



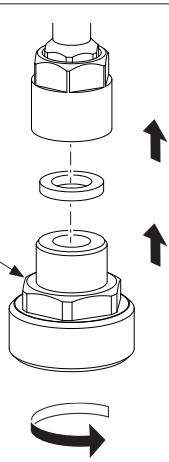
3



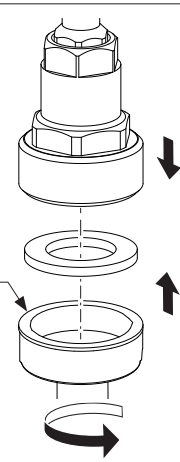
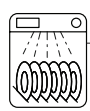
4



5

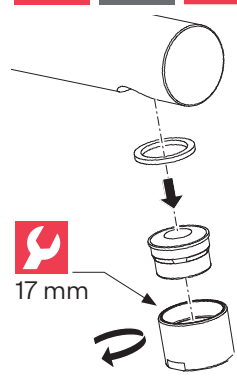


6



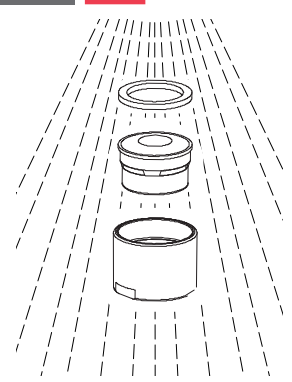
1

A



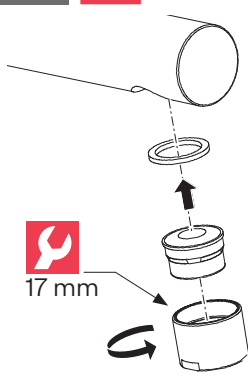
2

A



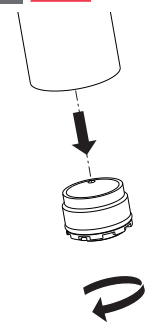
3

A



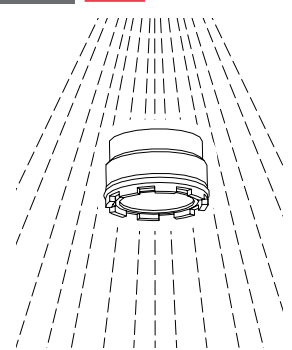
1

B



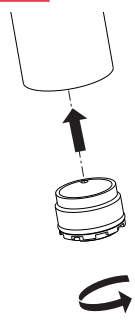
2

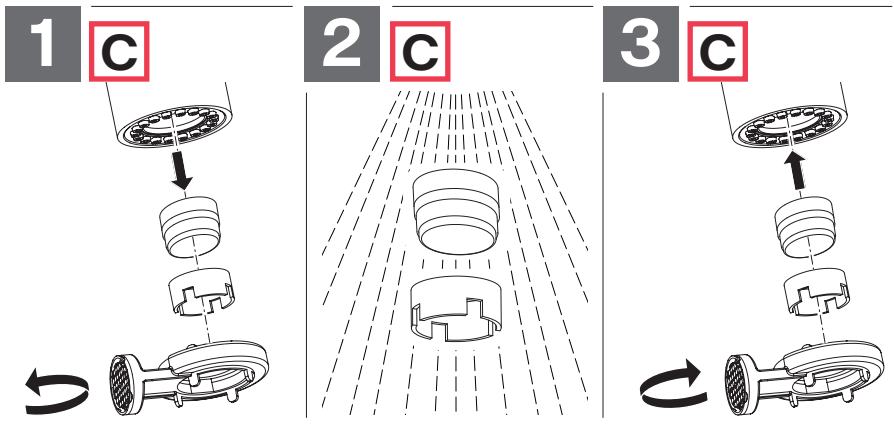
B



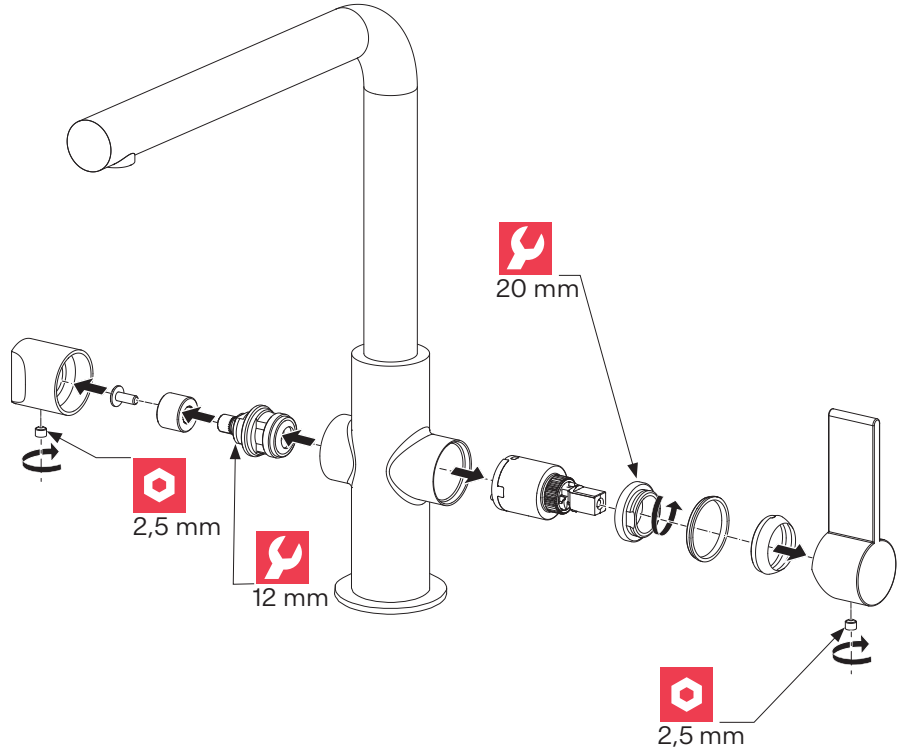
3

B

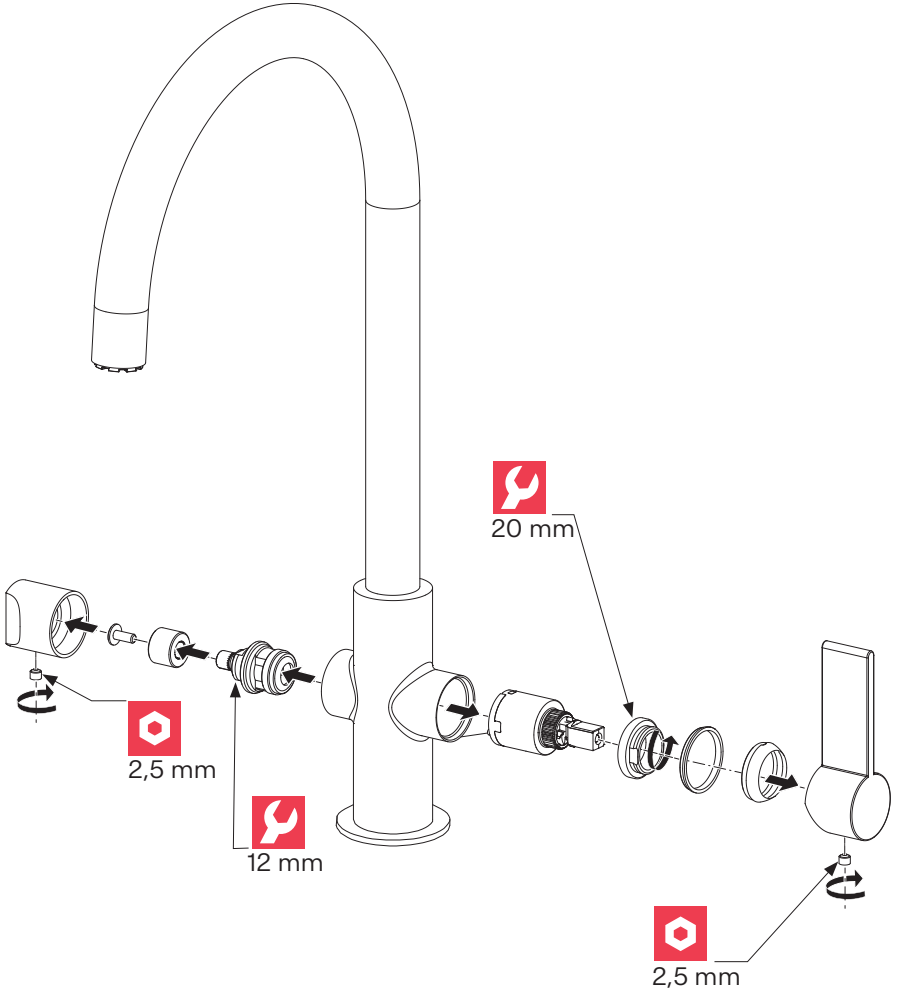




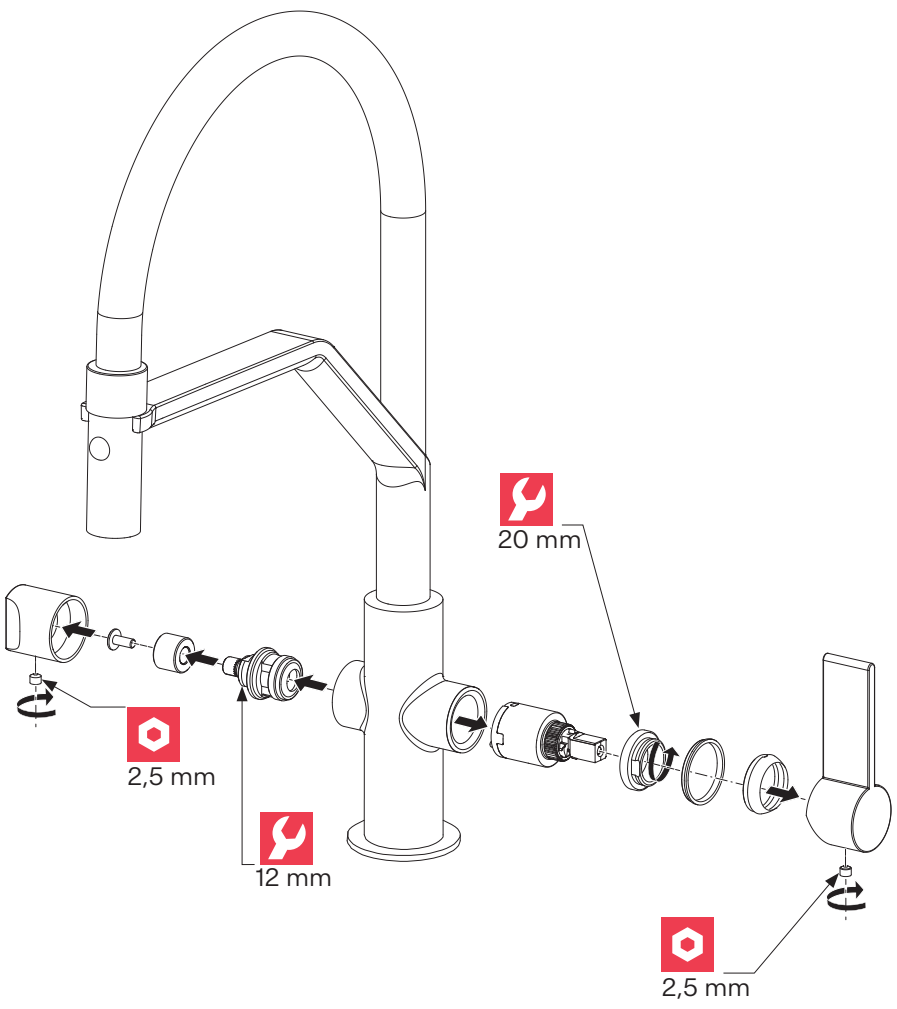
4 **A**

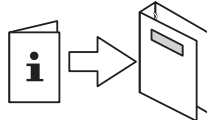


4 **B**



4 **C**





franke.com



FI A - Astianpesukoneen puol B - Sekoittajan puoli

NO A - Sida för diskmaskin B - Sida för blandare

SV A - Oppvaskmaskinside B - Mixerside

FI



Määräaikaistarkastukset

- ▶ Tarkasta liitokset ja suihkuletkut säännöllisesti seuraavien seikkojen varalta:
 - Vesitiiviyys
 - Korroosio
 - Mekaaniset vauriot
- ▶ Käytä vain alkuperäisiä varaosia.
- ▶ Vaihda kosteat tai valuvat letkut uusiin.
- ▶ Vaihda letkut, joiden pinta on ruosteessa tai hapettunut.
- ▶ Vaihda letkut, joissa näkyy mekaanisia vaurioita.
- ▶ Huuhtelee kaikki putket huolellisesti ennen asennusta.



Käyttötiedot

Arvo

Käyttöpaine (sopivin)	3 bar	43,5 PSI	300 kPa
Käyttöpaine (maksimi)*	10 bar	140 PSI	1000 kPa
Käyttöpaine (minimi)*	0,5 bar	7,25 PSI	50 kPa
Veden lämpötila (sopivin)	60 °C	140 °F	
Veden lämpötila (maksimi)	70 °C	158 °F	

* Tasainen paine on suositeltava.



Jevnlige kontroller

- ▶ Kontroller koblinger og dusjslanger jevnlig for følgende:
 - Vanntetthet
 - Korrosjon
 - Mekanisk skade
- ▶ Bare bruk originale reservedeler.
- ▶ Skift ut fuktige eller dryppende slanger.
- ▶ Skift ut slanger med rustne eller oksiderte overflater.
- ▶ Skift ut slanger som viser tegn på mekanisk skade.



- ▶ Skyll grundig gjennom alle rør før installasjon.

Driftsdata	Verdi		
Driftstrykk (ideelt)	3 bar	43,5 PSI	300 kPa
Driftstrykk (maks.)*	10 bar	140 PSI	1000 kPa
Driftstrykk (min.)*	0,5 bar	7,25 PSI	50 kPa
Vanntemperatur (ideell)	60 °C	140 °F	
Vanntemperatur (maks.)	70 °C	158 °F	

* Likt trykk anbefales.



Regelbundna kontroller

- ▶ Kontrollera regelbundet anslutningen och duschslangarna med avseende på följande:
 - Vattentäthet
 - Korrosion
 - Mekanisk skada
- ▶ Använd endast originalreservdelar.
- ▶ Byt ut fuktiga eller droppande slangar.
- ▶ Byt ut slangar med rostiga eller oxiderade ytor.
- ▶ Byt ut slangar som visar tecken på mekanisk skada.



- ▶ Spola grundligt alla rör före installation.

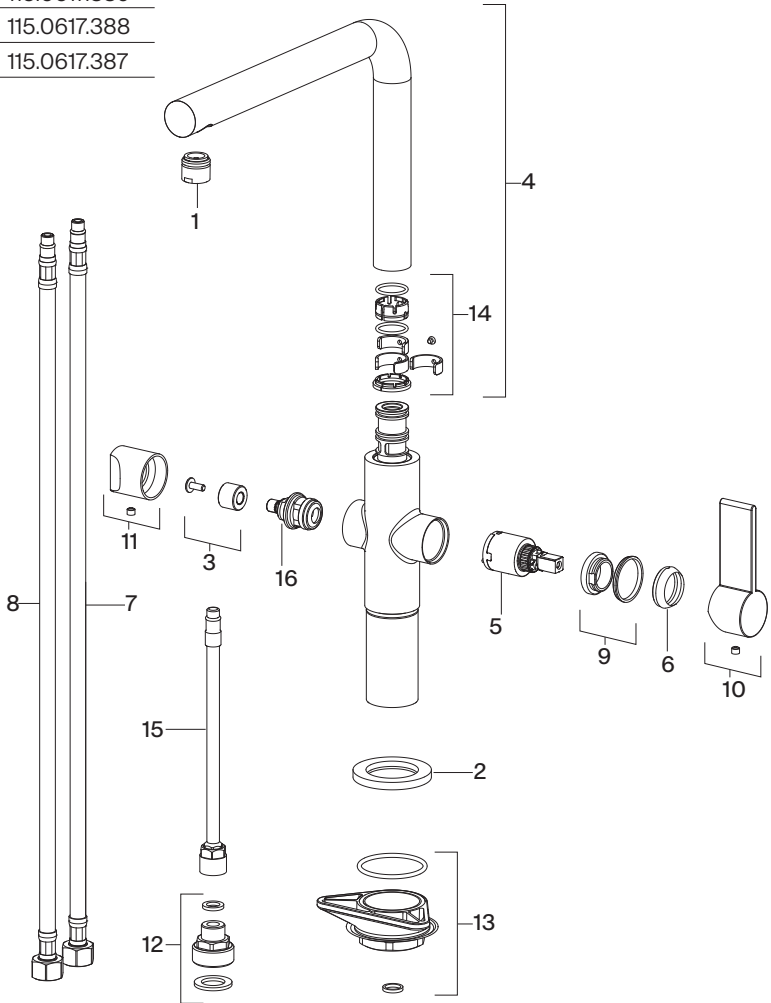
Driftdata	Värde		
Driftstryck (idealiskt)	3 bar	43,5 PSI	300 kPa
Driftstryck (max.)*	10 bar	140 PSI	1000 kPa
Driftstryck (min.)*	0,5 bar	7,25 PSI	50 kPa
Vattentemperatur (idealisk)	60 °C	140 °F	
Vattentemperatur (max.)	70 °C	158 °F	

* Lika tryck rekommenderas.



Tap Neptune L

Chrome	115.0617.385
Decor Steel	115.0617.386
Brass	115.0617.390
Copper	115.0617.389
Matt White	115.0617.388
Matt Black	115.0617.387





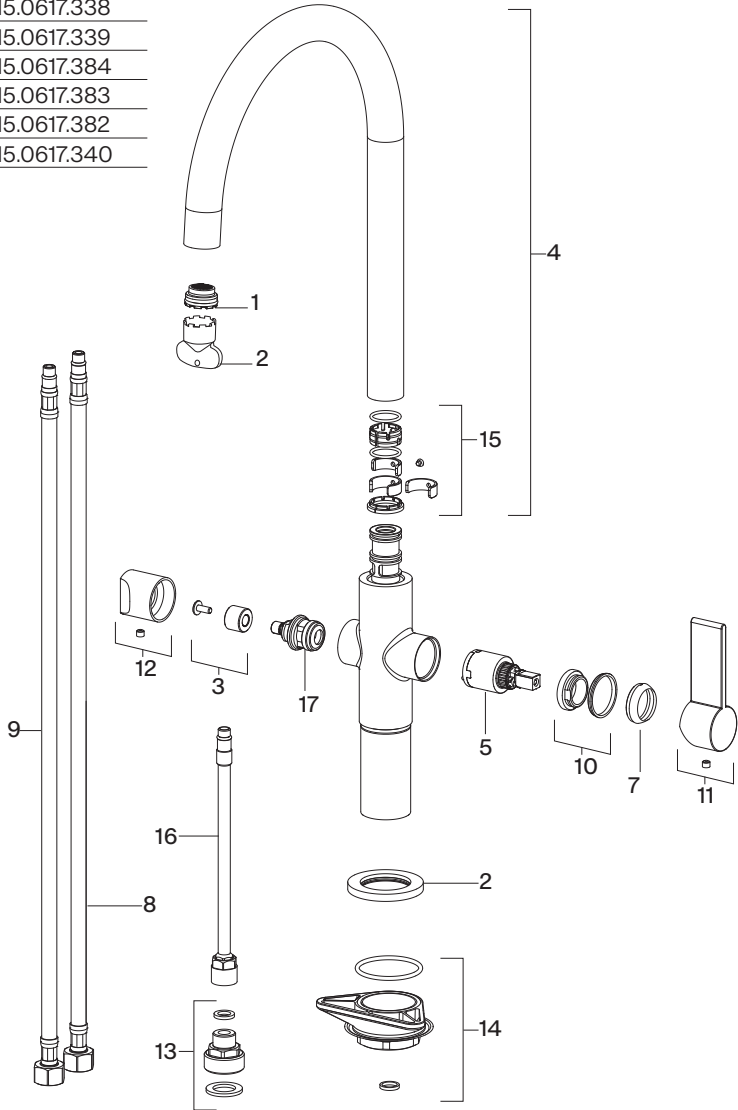
Tap Neptune L

1	SP00189	GSP001890G001F000	Complete aerator chrome	133.0503.591
		GSP001890G002F000	Complete aerator decor steel	133.0538.682
		GSP001890G057F000	Complete aerator brass	133.0626.137
		GSP001890G068F000	Complete aerator copper	133.0621.559
		GSP001890C071F000	Complete aerator matt white	133.0621.571
2	SP00464	GSP001890C072F000	Complete aerator matt black	133.0612.560
		GSP004640G001F000	Base chrome	133.0434.714
		GSP004640G002F000	Base decor steel	133.0538.660
		GSP004640G057F000	Base brass	133.0621.554
		GSP004640G068F000	Base aerator copper	133.0621.555
3	SP02983	GSP004640C071F000	Base matt white	133.0621.556
		GSP004640C072F000	Base matt black	133.0586.907
		GSP029830G001F000	Bush	133.0624.440
4	SP02981	GSP029810G001F000	Complete spout chrome	133.0624.468
		GSP029810G002F000	Complete spout decor steel	133.0624.469
		GSP029810G057F000	Complete spout brass	133.0624.470
		GSP029810G068F000	Complete spout copper	133.0624.481
		GSP029810C071F000	Complete spout matt white	133.0624.482
5	SP00638	GSP029810C072F000	Complete spout matt black	133.0624.483
		GSP006380G001F000	Cartridge	133.0503.598
6	SP00643	GSP006430G001F000	Finishing ring nut chrome	133.0503.597
		GSP006430G002F000	Finishing ring nut decor steel	133.0545.191
		GSP006430G057F000	Finishing ring nut brass	133.0624.435
		GSP006430G068F000	Finishing ring nut copper	133.0624.436
		GSP006430C071F000	Finishing ring nut matt white	133.0624.437
7	SP02987	GSP006430C072F000	Finishing ring nut matt black	133.0586.906
		GSP029870G001F000	Blu supply hose	133.0626.316
8	SP02988	GSP029880G001F000	Red supply hose	122.0626.317
9	SP5449	SSP54490000000000	Colour ring and cartridge bush	133.0723.830
10	SP00724	GSP007240G001F000	Handle chrome	133.0503.595
		GSP007240G002F000	Handle decor steel	133.0538.659
		GSP007240G057F000	Handle brass	133.0624.409
		GSP007240G068F000	Handle copper	133.0624.410
		GSP007240C071F000	Handle matt white	133.0624.431
11	SP02984	GSP007240C072F000	Handle matt black	133.0586.905
		GSP029840G001F000	Knob chrome	133.0624.389
		GSP029840G002F000	Knob decor steel	133.0624.401
		GSP029840G057F000	Knob brass	133.0624.403
		GSP029840G068F000	Knob copper	133.0624.404
12	SP02986	GSP029840C071F000	Knob matt white	133.0624.405
		GSP029840C072F000	Knob matt black	133.0624.408
		GSP029860G001F000	Nipple	133.0624.465
13	SP00462	GSP004620G001F000	Fixing set	133.0434.732
14	SP02980	GSP029800G001F000	Gaskets and anti-friction rings	133.0621.525
15	SP02985	GSP029850G001F000	Tube	133.0624.464
16	SP02982	GSP029820G001F000	Headvalve	133.0621.551



Tap Neptune J

Chrome	115.0617.338
Decor Steel	115.0617.339
Brass	115.0617.384
Copper	115.0617.383
Matt White	115.0617.382
Matt Black	115.0617.340



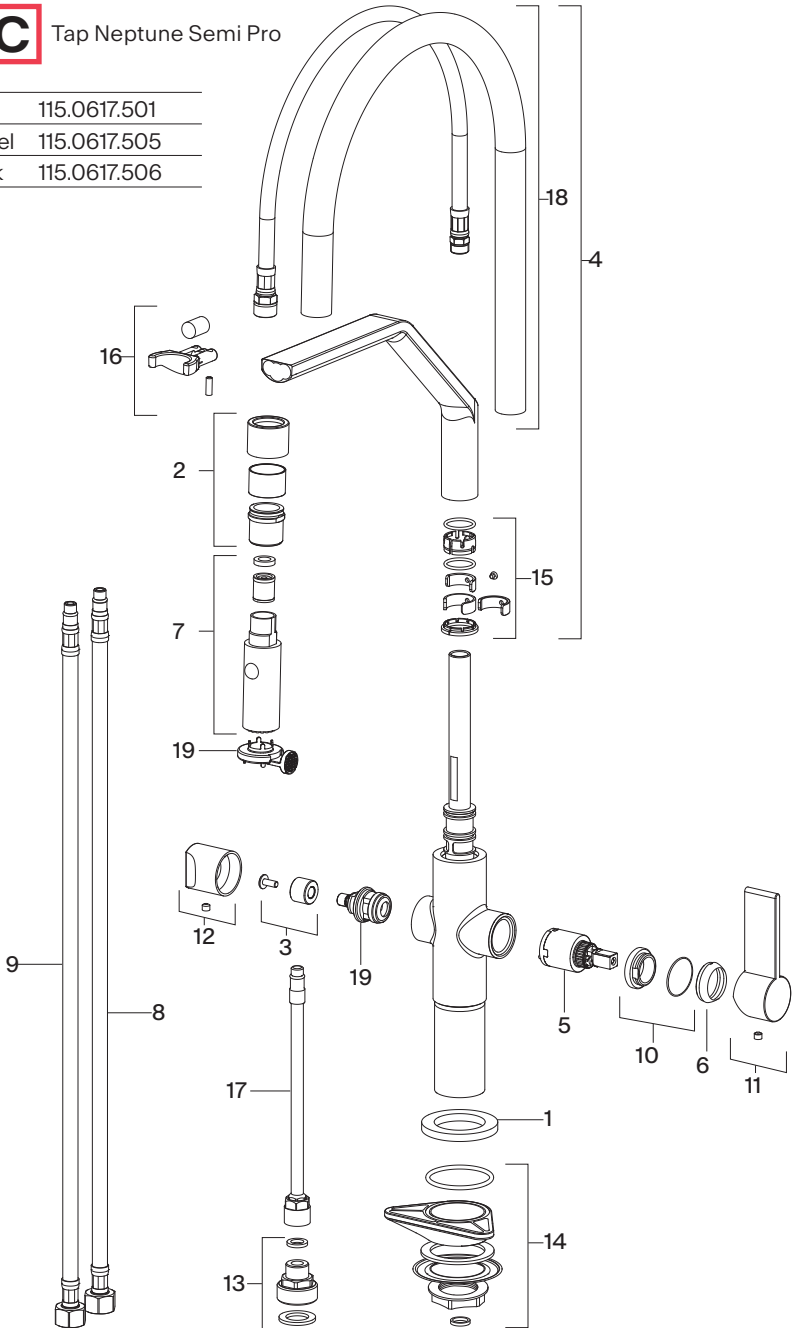
B Tap Neptune J

1	SP01656	GSP016560G001F000	Aerator	133.0541.313
		GSP004640G001F000	Base chrome	133.0434.714
		GSP004640G002F000	Base decor steel	133.0538.660
2	SP00464	GSP004640G057F000	Base brass	133.0621.554
		GSP004640G068F000	Base aerator copper	133.0621.555
		GSP004640C071F000	Base matt white	133.0621.556
		GSP004640C072F000	Base matt black	133.0586.907
3	SP02983	GSP029830G001F000	Bush	133.0624.440
		GSP029890G001F000	Complete spout chrome	133.0624.365
		GSP029890G002F000	Complete spout decor steel	133.0624.383
4	SP02989	GSP029890G057F000	Complete spout brass	133.0624.384
		GSP029890G068F000	Complete spout copper	133.0624.385
		GSP029890C071F000	Complete spout matt white	133.0624.386
		GSP029890C072F000	Complete spout matt black	133.0624.388
5	SP00638	GSP006380G001F000	Cartridge	133.0503.598
6	SP00010	GSP000100G001F000	Special tool	-
		GSP006430G001F000	Finishing ring nut chrome	133.0503.597
		GSP006430G002F000	Finishing ring nut decor steel	133.0545.191
		GSP006430G057F000	Finishing ring nut brass	133.0624.435
		GSP006430G068F000	Finishing ring nut copper	133.0624.436
		GSP006430C071F000	Finishing ring nut matt white	133.0624.437
7	SP00643	GSP006430C072F000	Finishing ring nut matt black	133.0586.906
8	SP02987	GSP029870G001F000	Blu supply hose	133.0626.316
9	SP02988	GSP029880G001F000	Red supply hose	133.0626.317
10	SP5449	SSP54490000000000	Colour ring and cartridge bush	133.0723.830
		GSP007240G001F000	Handle chrome	133.0503.595
		GSP007240G002F000	Handle decor steel	133.0538.659
		GSP007240G057F000	Handle brass	133.0624.409
		GSP007240G068F000	Handle copper	133.0624.410
		GSP007240C071F000	Handle matt white	133.0624.431
		GSP007240C072F000	Handle matt black	133.0586.905
11	SP00724	GSP029840G001F000	Knob chrome	133.0624.389
		GSP029840G002F000	Knob decor steel	133.0624.401
		GSP029840G057F000	Knob brass	133.0624.403
		GSP029840G068F000	Knob copper	133.0624.404
		GSP029840C071F000	Knob matt white	133.0624.405
		GSP029840C072F000	Knob matt black	133.0624.408
12	SP02984	GSP029860G001F000	Nipple	133.0624.465
		GSP004620G001F000	Fixing set	133.0434.732
		GSP029800G001F000	Gaskets and anti-friction rings	133.0621.525
		GSP029850G001F000	Tube	133.0624.464
		GSP029820G001F000	Headvalve	133.0621.551



Tap Neptune Semi Pro

Chrome	115.0617.501
Decor Steel	115.0617.505
Matt Black	115.0617.506





Tap Neptune Semi Pro

		GSP004640G001F000	Chrome	133.0434.714
1	SP00464	GSP004640G002F000	Decor Steel	133.0538.660
		GSP004640C072F000	Matt Black	133.0586.907
		GSP025890G001F000	Bush Chrome	133.0626.315
2	SP02589	GSP025890G002F000	Bush Decor Steel	133.0621.573
		GSP025890C072F000	Bush Matt Black	133.0621.574
3	SP02983	GSP029830G001F000	Bush	133.0624.440
		GSP029900G001F000	Complete spout Chrome	133.0624.461
4	SP02990	GSP029900G002F000	Complete spout Decor Steel	133.0624.462
		GSP029900C072F000	Complete spout Matt Black	133.0624.463
5	SP00638	GSP006380G001F000	Cartridge	133.0503.598
		GSP006430G001F000	Finishing ring nut Chrome	133.0503.597
6	SP00643	GSP006430G002F000	Finishing ring nut Decor Steel	133.0545.191
		GSP006430C072F000	Finishing ring nut Matt Black	133.0615.387
		GSP029910G001F000	Handshower Chrome	133.0612.520
7	SP02991	GSP029910G002F000	Handshower Decor Steel	133.0621.575
		GSP029910C072F000	Handshower Matt Black	133.0621.576
8	SP02987	GSP029870G001F000	Blu supply hose	133.0626.316
9	SP02988	GSP029880G001F000	Red supply hose	133.0626.317
10	SP5449	SSP54490000000000	Colour ring and cartridge bush	133.0723.830
		GSP007240G001F000	Handle Chrome	133.0503.595
11	SP00724	GSP007240G002F000	Handle Decor Steel	133.0538.659
		GSP007240C072F000	Handle Matt Black	133.0586.905
		GSP029840G001F000	Knob Chrome	133.0624.389
12	SP02984	GSP029840G002F000	Knob Decor Steel	133.0624.401
		GSP029840C072F000	Knob Matt Black	133.0624.408
13	SP02986	GSP029860G001F000	Nipple	133.0624.465
14	SP00462	GSP004620G001F000	Fixing set	133.0434.732
15	SP02980	GSP029800G001F000	Gaskets and anti-friction rings	133.0621.525
16	SP02588	GSP025880G001F000	Support	133.0626.139
17	SP02985	GSP029850G001F000	Tube	133.0624.464
18	SP02527	GSP025270G001F000	Tube	133.0626.138
19	SP02982	GSP029820G001F000	Headvalve	133.0621.551

Denmark, Finland, Sweden, Norway

Franke KS Sweden
168 67 Bromma
Phone +46 912 405 00

Switzerland

Franke Küchentechnik AG
4663 Aarburg
Phone +41 800 583 243